



HEAT & GLO™
Where everything comes together



SlimLine Series
Gas Fireplaces



Less space
& more options



SL-750TRS (cover) Shown with Fairfield mantel in custom finish, marron brown marble, bronze Essence doors and Waverly panels

SL-550TR (top) Shown with Echo Modern Collection surround and basic front

SL-950TR (above) Shown with the Roseville mantel in auburn finish and beige marble



Unique slim design has ceramic fiber, brick refractory and realistic looking flame (SL-550TRS and SL-750TRS)

When you want to experience a beautiful, room-enhancing fire, but don't want a big, room-invading fireplace, think slim. The SlimLine series was designed with economy of scale and a wealth of options in mind. Nine models in all, each just 16-1/4" deep, just right for any number of settings. Any cozy space in need of a warm touch is tailor-made for SlimLine.



SL-550TRS Shown with optional pewter Firescreen front and Carriage Hill companions

Think slim & supreme

SlimLine models with TRS technology don't skimp when it comes to luxurious features.

- Employ a technologically advanced burner with a realistic, robust flame.
- Offer a ceramic fiber, brick refractory (SL-550TRS and SL-750TRS)
- Generate higher Btu for more heat.
- Utilize a direct vent, sealed combustion system.

SL-350TRS 28" wide

SL-550TRS 32" wide

SL-750TRS 36" wide

SlimLine Series

The perfect fit for any size room.



SL-750TR Shown with Luna Modern Collection surround

Think slim & practical

SlimLine models with TR or TV technology make a huge impact even when the budget is a bit snug.

- TR technology offers a completely sealed, direct vent system that vents off the top or rear for placement flexibility.
- TV technology provides an option for installations that cannot accommodate a direct vent system by utilizing B-vent off the top.

SL-550TR or SL-550TV 32" wide

SL-750TR or SL-750TV 36" wide

SL-950TR or SL-950TV 42" wide

Decorative Fronts available for SL-550

Middle Front
DF-550M



In black or black with polished brass, brushed nickel or pewter strips.

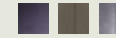
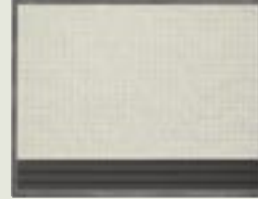
Classic Doors
DF-550-CL



Mission Doors
DF-550-MN



Firescreen Front
DF-550-FS



Accepts Firescreen Companions.

Options, options & more options

With multiple fronts and finishes, plus interchangeable panels and companions, you define and design your own style.

Decorative Fronts available for SL-750

Basic Front
DF-6000



Firescreen Front
DF-6-FS



Accepts interchangeable decorative panels and Firescreen Companions.

Essence Doors*
DF-6-Essence



Accepts interchangeable decorative panels.

Craftsman Doors*
DF36-Craft



Comes with matching black andirons. Requires DF36-AP frame.

Craftsman Tool Set
TS-Craft



Matches DF36-Craft.

Arched Front
DF-6-CARCH



Chateau Deluxe Front
DF-6-Chad



Spire Doors*
DF36-Spire



Comes with matching black andirons. Requires DF36-RP frame.

Spire Tool Set
TS-Spire



Matches DF36-Spire.

Not Shown: DF-750M Middle Door is also available, black only. Brushed nickel, pewter or polished brass trim strips are available for DF-750M.

* Not available for TV model.

Decorative Front available for SL-950

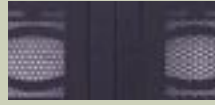
Middle Front
DF-950M



In black or black with polished brass, brushed nickel or pewter strips.

Finishes

Five rich finishes. High on style, long on durability. Available on select fronts.



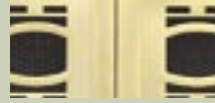
Black



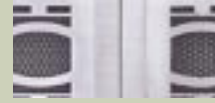
Bronze



Pewter



Polished Brass



Brushed Nickel

Interchangeable Decorative Panels



Mission Interchangeable Panel shown attached to Essence Door.

Essence doors and Firescreen fronts for SL-750 models accept these six interchangeable panels. Buy one or several, they're easy to change. Think of them as decorating accessories for different seasons or events. Each is available in five finishes to match or contrast with fronts.



Waverly



North Woods



Mission



Floral



Victorian



Classic

Firescreen Companions

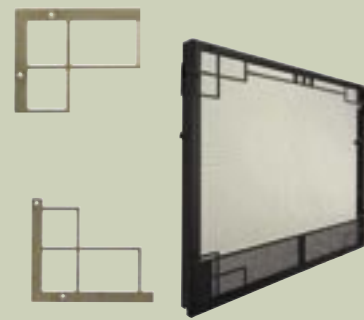
The Firescreen front for SL-550 or SL-750 models can be enjoyed unadorned, or you can purchase one of these three Firescreen companions to attach to the front's exterior, adding a distinctive touch of corner detail. Each is available in black, bronze or pewter to match or contrast with the front.



Arbor Creek Firescreen Companions shown on Firescreen front



Carriage Hill Firescreen Companions shown on Firescreen front

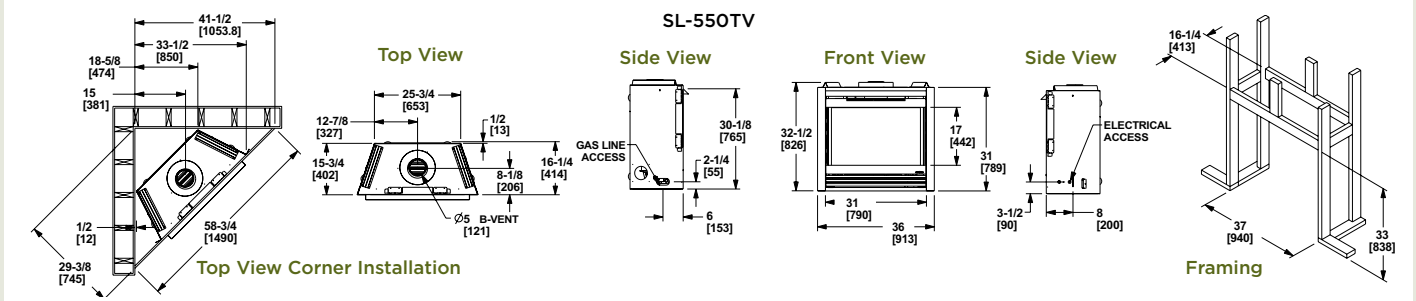
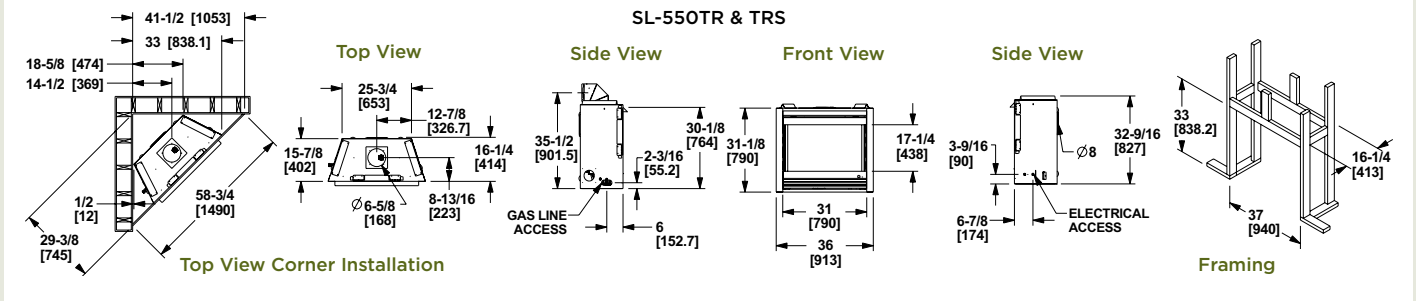
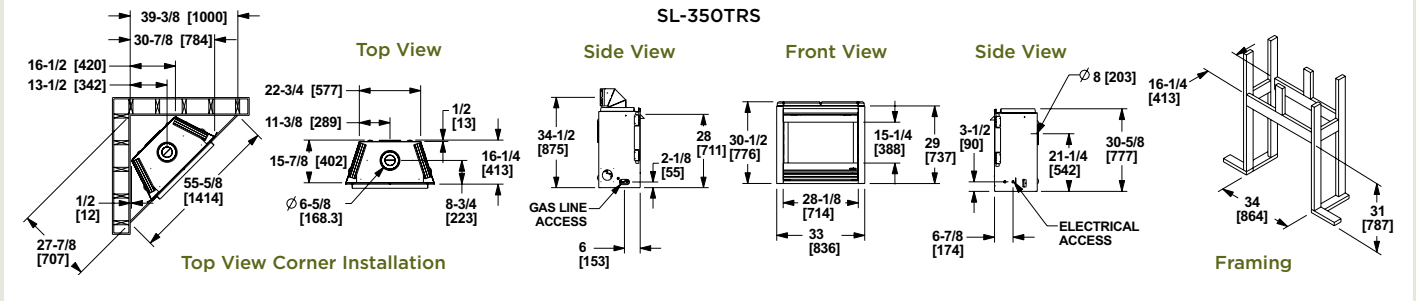


Prairie Ridge Firescreen Companions shown on Firescreen front

Available only for SL-750 Firescreen fronts

SlimLine Specifications

MODEL	HEIGHT		FRONT WIDTH		BACK WIDTH		DEPTH		GLASS SIZE	BTU/HOUR INPUT (NG)
	Actual	Framing	Actual	Framing	Actual	Framing	Actual	Framing		
SL-350TRS	30-1/2	31	33	34	22-3/4	34	16-1/4	16-1/4	25 x 16-3/4	16,000-24,000
SL-550TR	32-9/16	33	36	37	25-3/4	37	16-1/4	16-1/4	31 x 21-1/4	12,000-21,000
SL-550TRS	32-9/16	33	36	37	25-3/4	37	16-1/4	16-1/4	31 x 21-1/4	17,000-27,000
SL-550TV	32-1/2	33	36	37	25-3/4	37	16-1/4	16-1/4	31 x 21-1/4	15,000-21,000



Dimensions above are in inches. Reference dimensions only. We recommend measuring individual units at installation. Assumes the use of 1/2" Sheetrock. NOTE: Make sure you do NOT cover the decorative door opening.

Healthy Hearth (TR and TRS models)

Our direct vent fireplaces will not alter the quality of indoor room air in any way. They utilize a sealed combustion chamber that draws in fresh air from outdoors and discards all combustion by products back outside.

IntelliFire™

Our exclusive, state-of-the-art IntelliFire ignition system reduces gas consumption and thermogenerator wear by providing a pilot flame only when needed. Also supplies a back-up battery system to run the fireplace during a power outage.

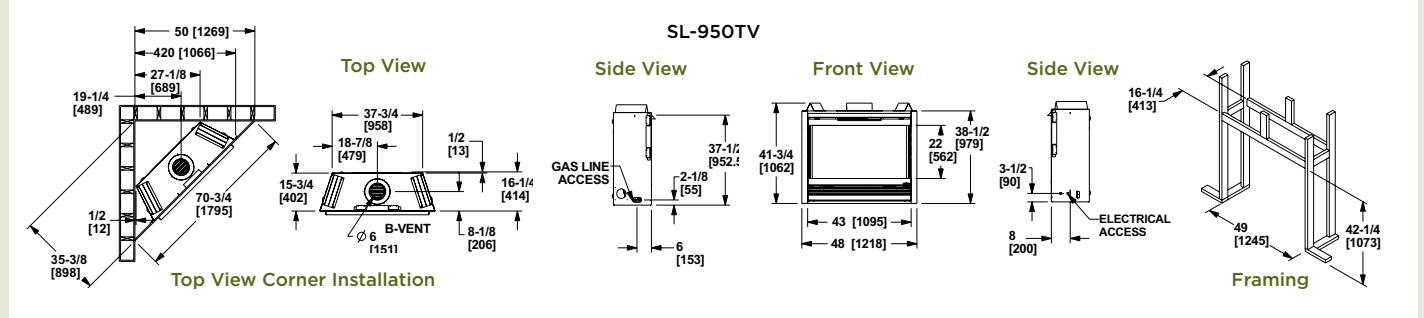
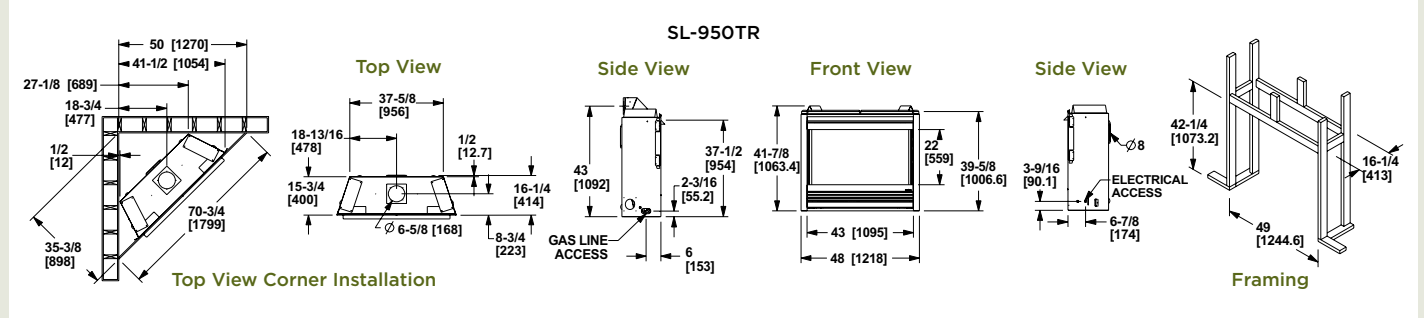
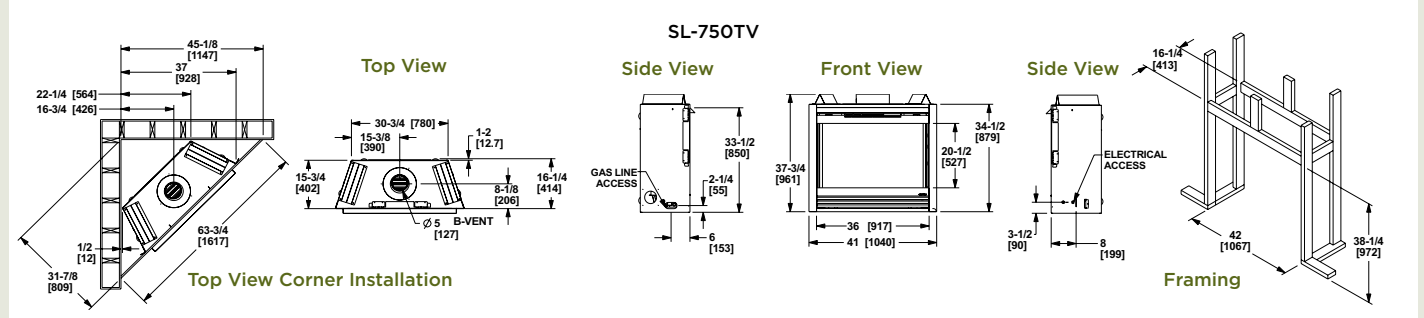
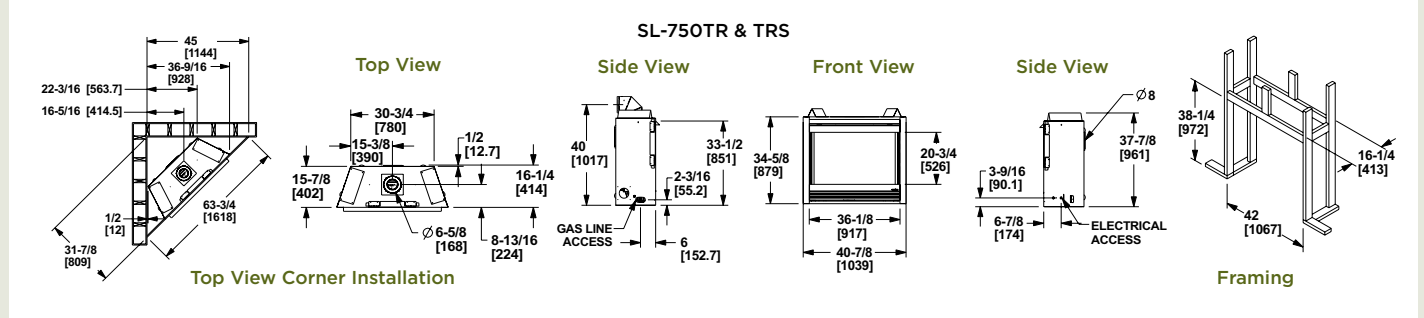
Limited Lifetime Warranty

The strongest in the industry, Heat & Glo guarantees protection for all gas units, including a lifetime warranty on fiber logs, stainless steel burner, firebox and heat exchanger.



SlimLine Specifications

MODEL	HEIGHT		FRONT WIDTH		BACK WIDTH		DEPTH		GLASS SIZE	BTU/HOUR INPUT (NG)
	Actual	Framing	Actual	Framing	Actual	Framing	Actual	Framing		
SL-750TR & TRS	37-7/8	38-1/4	40-7/8	42	30-3/4	42	16-1/4	16-1/4	36 x 24-3/4	20,500-30,000 (TRS) 13,500-23,000 (TR)
SL-750TV	37-3/4	38-1/4	41	42	30-3/4	42	16-1/4	16-1/4	36 x 24-3/4	16,000-23,000
SL-950TR	41-7/8	42-1/4	48	49	37-5/8	49	16-1/4	16-1/4	43 x 27-3/4	21,000-30,000
SL-950TV	41-3/4	42-1/4	48	49	37-3/4	49	16-1/4	16-1/4	43 x 27-3/4	21,000-30,000



Dimensions above are in inches. Reference dimensions only. We recommend measuring individual units at installation. Assumes the use of 1/2" sheetrock. NOTE: Make sure you do NOT cover the decorative door opening.

SlimLine Model Comparison

MODEL	TECHNOLOGY	VIEWING WIDTH	SETTING
SL-350	TRS	28"	Ideal for corners or between windows.
SL-550	TRS, TR or TV	32"	Sized perfectly for owner suite or den.
SL-750	TRS, TR or TV	36"	A great choice for a great room.
SL-950	TR or TV	42"	Designed for larger spaces, yet doesn't bump out into the room.

SlimLine Model Features

FEATURES	SL-350TRS	SL-550TRS	SL-550TR	SL-550TV	SL-750TRS	SL-750TR	SL-750TV	SL-950TR	SL-950TV
AFUE Rated	•	•			•				
Heater Rated			•	•		•	•	•	•
Brick Refractory Kit	optional	standard	optional	optional	standard	optional	optional	optional	optional
Sealed Combustion Chamber	•	•	•		•	•		•	
Selection of Decorative Fronts		•	•	•	•	•	•		
Optional Fan Kit	•	•	•	•	•	•	•	•	•
Optional Remote Control/Wall Switch	•	•	•	•	•	•	•	•	•
Ceramic Gas Logs	5	5	5	5	5	6	6	6	6
Limited Lifetime Warranty	•	•	•	•	•	•	•	•	•
Top and Rear Direct Vent	•	•	•		•	•		•	
Top B-Vent				•			•		•
IntelliFire™ Ignition System		•	•	•	•	•	•	•	•
Adjustable Valve	•	•	•	•	•	•	•	•	•
Gas Flex Connection	•	•	•	•	•	•	•	•	•
On/Off Switch	•	•	•	•	•	•	•	•	•
Ceramic Glass	•	•			•				
Tempered Glass			•	•		•	•	•	•



For complete information and valuable assistance on this series, please contact us at:

Heat & Glo
 20802 Kensington Boulevard, Lakeville, MN 55044
 (888) 427-3973 (952) 985-6000
 Email: info@heatnglo.com
 Web: heatnglo.com

A brand of Hearth & Home Technologies, Inc.