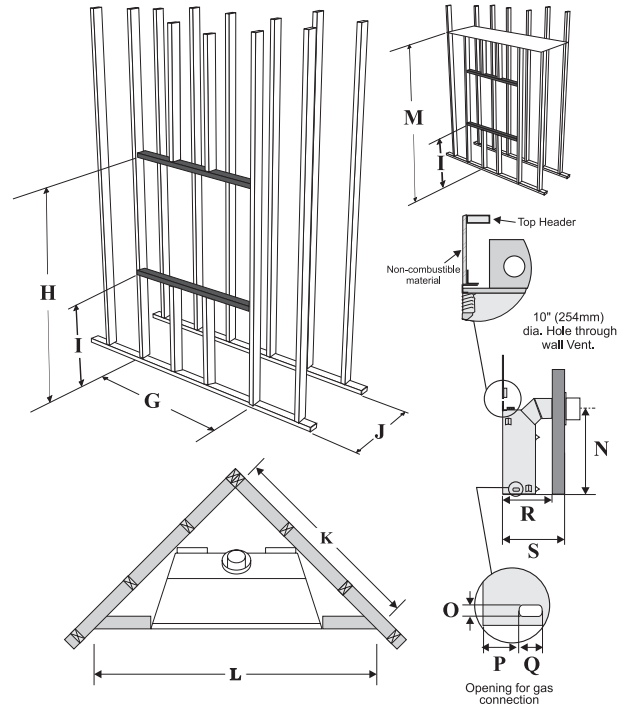
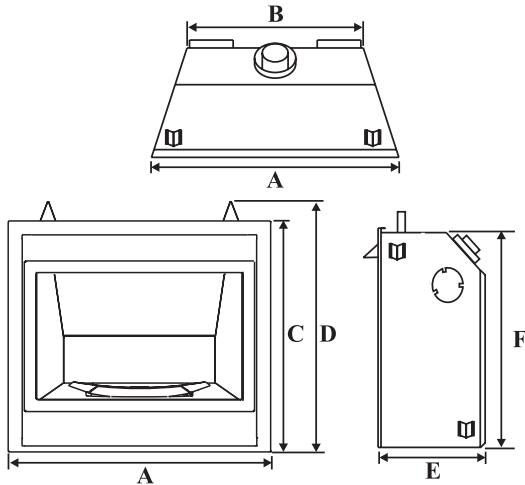


Regency P33 Sunrise Gas Fireplace

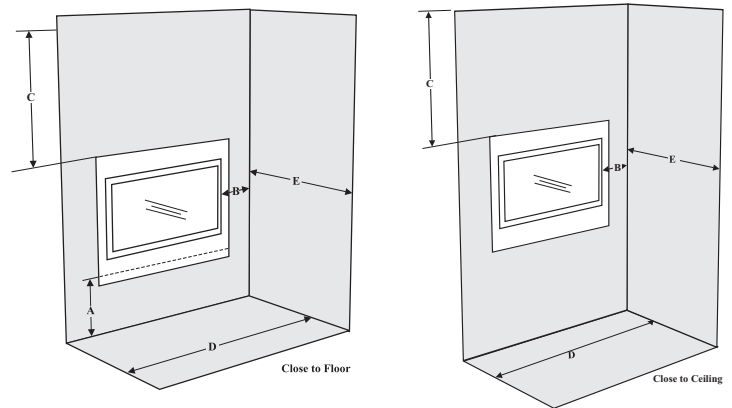
Model	P33S-NG4	P33S-LP4
Fuel Type	Natural Gas	Propane
Minimum Supply Pressure	5" W.C. (1.25 kPa)	11" W.C. (2.73 kPa)
Manifold Pressure - High	3.5" W.C. (0.87 kPa)	10" W.C. (2.49 kPa)
Manifold Pressure - Low	1.6" W.C. (0.39 kPa)	6.4" W.C. (1.59 kPa)
Maximum Input Altitude 0-4500 ft. (0-1372m)	17,000 BTU/h (4.98 kW)	15,500 BTU/h (4.54 kW)
Vent Sizing	4" Inner / 6 5/8" Outer	4" Inner / 6 5/8" Outer

Approved Venting Systems	
Flex Vent Systems:	FPI AstroCap™ Flex Vent
Rigid Pipe Vent Systems:	Simpson Direct Vent Pro® American Metal Products® Amerivent Direct Security Secure Vent® Selkirk Direct-Temp™ Metal-Fab® Sure Seal



Dimension	Description	P33S
O	Gas Connection Height	1 1/2" (38mm)
P	Gas Connection Inset	4" (102mm)
Q	Gas Connection Width	3" (76mm)
R	Minimum Framing Depth	16 1/2" (419mm) Rigid / 12-3/4" (324mm) Flex
S	Maximum Framing Depth (including wall thickness)	40 1/2" (1028mm) Rigid / 36-3/4" (933mm) Flex

Clearance Requirements



Unit Dimensions	Description	P33S
A	Front Face Width	33" (838mm)
B	Rear Firebox Width	23" (584mm)
C	Front Face Height	29" (737mm)
D	Height w/ Standoff	31 1/2" (800mm)
E	Unit Depth	12-3/4" (324mm)
F	Firebox Height	29" (737mm)
Framing Dimensions	Description	P33S
G	Framing Width	33-1/4" (845mm)
H**	Framing Height**	31-3/4" (806mm)**
I*	Framing Rise from Floor	12" (305mm) minimum*
J	Framing Depth	Vertical: 19 1/2" (495mm) Vertical Rise
		Horizontal: 16 1/2" (419mm) Rigid 12-3/4" (324mm) Flex
K	Corner Wall Length	37 1/2" (953mm)
L	Corner Facing Wall Width	53-1/4" (1353mm)
M***	Framed Chase Ceiling***	36" (914mm) Rigid*** 32" (813mm) Flex***
N	Vent Centerline Height	30" (762mm) Rigid 26" (660mm) Flex

* The unit must be raised a minimum of 12" above the finished floor.

** Dimension H = H + I (minimum)

*** Dimension M = M + I (minimum)

Clearance:	Dimension	Measured From:
A: Rise	12" minimum	Finished Floor
B: Sidewall	7-1/2"	Side of Unit
C: Ceiling	30"	Top of Unit
D: Alcove Width	48"	Sidewall to Sidewall (Minimum)
E: Alcove Depth	36"	Front to back wall (Maximum)

WARNING

Failure to maintain required clearances is a major cause of chimney related fires. Installation of this fireplace must comply with these clearances

Please note: Due to ongoing product development, product appearance and specifications are subject to change without notice.

This manual is intended to be a Sales Reference Guide only. Do NOT use for actual framing and installation of any unit. Some specifications may change without notice. You must use the actual manual for exact installation specifications.

Venting Arrangements - Horizontal Terminations

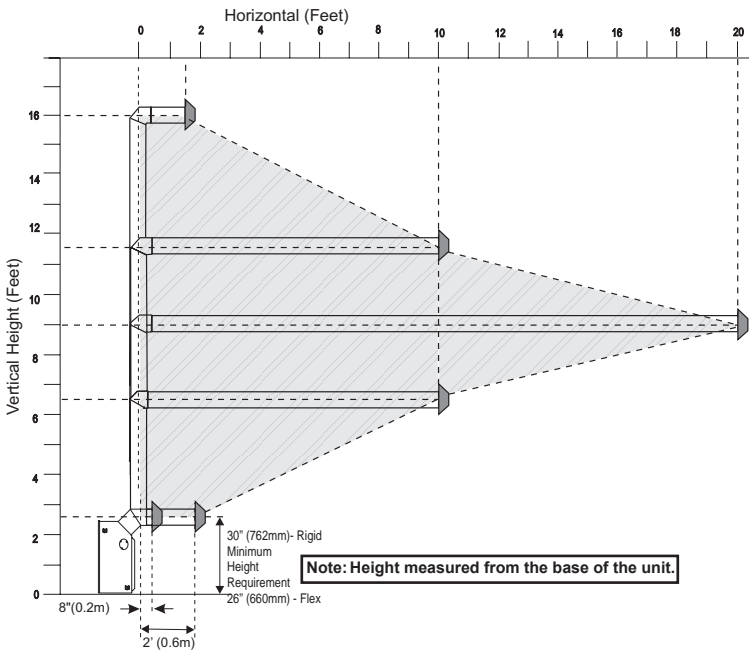
This lightly shaded area of the diagram shows allowable combinations of vertical runs with horizontal terminations, using one 45° and one 90° elbow (two 45° elbows equal one 90° elbow).

Note: Must use optional rigid pipe adapter (Part # 510-994) when using Rigid Pipe.

- Maintain clearances to combustibles.
- Horizontal vent must be supported every 3 feet.
- Firestops are required at each floor level and whenever passing through a wall.

A vent guard may be required as per local codes, refer to **Exterior Vent Termination Locations**.

Note: FPI Direct Vent System (Flex) is only approved for horizontal terminations.



Venting Arrangements - Vertical Terminations

Rigid Pipe System

(Propane & Natural Gas)

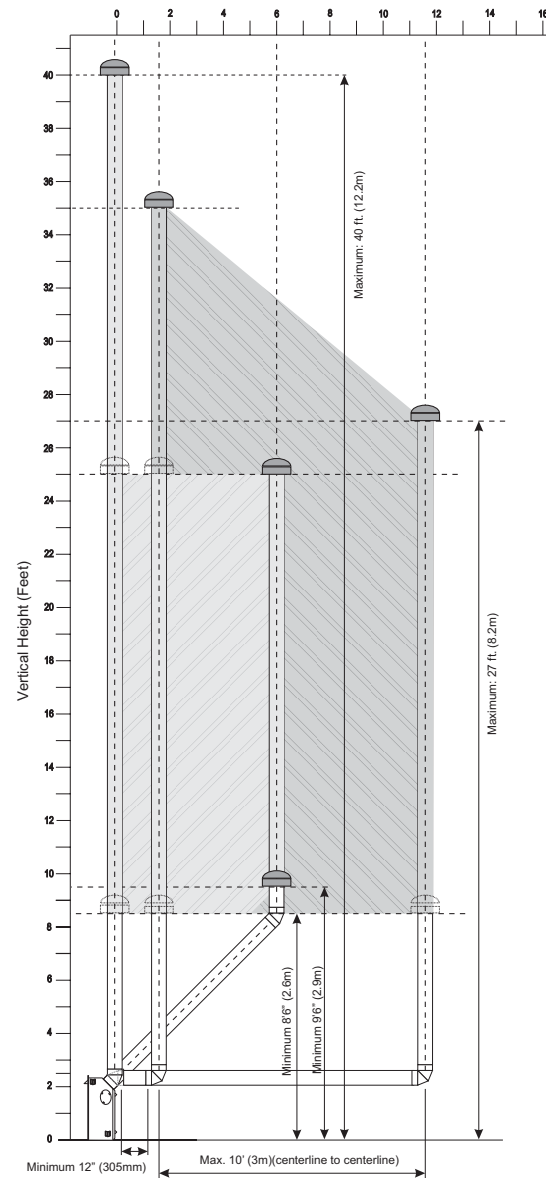
The P33 is approved for a maximum 40 ft. straight vertical, with **Rigid Pipe** vent systems for Propane and Natural Gas.

The lightly shaded area, in the diagram shows allowable venting configurations with a maximum two 45° elbows.

The darker shaded area, in the diagram shows allowable venting configurations using one 45° and one 90° elbow.

- **Vent must be supported at offsets.**
- **Horizontal sections must be supported every 3 feet.**
- **Firestops are required at each floor level and whenever passing through a wall.**
- **Maintain clearances to combustible materials.**
- **Minimum of 1' pipe section between elbows.**

Note: Must use optional rigid pipe adapter when using Rigid Pipe (Part # 510-994).



Note: Height measured from the base of the unit.