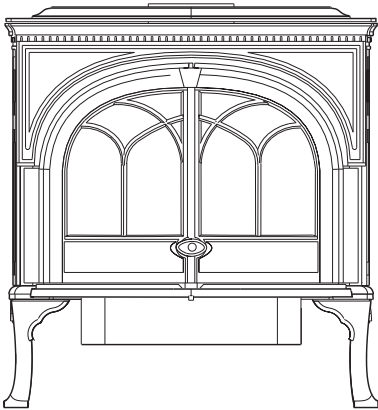




Jøtul GF 600 DV II Firelight Direct Vent Gas Heater



Installation and Operation Instructions



WARNING:

IF THE INFORMATION IN THESE INSTRUCTIONS ARE NOT FOLLOWED EXACTLY, A FIRE OR EXPLOSION MAY RESULT CAUSING PROPERTY DAMAGE, PERSONAL INJURY OR LOSS OF LIFE.

FOR YOUR SAFETY:

DO NOT STORE OR USE GASOLINE OR OTHER FLAMMABLE VAPORS AND LIQUIDS IN THE VICINITY OF THIS OR ANY OTHER APPLIANCE.

INSTALLATION:

INSTALLATION AND SERVICE MUST BE PERFORMED BY A QUALIFIED INSTALLER, SERVICE AGENCY OR LICENSED GAS SUPPLIER.

THIS PRODUCT MUST BE INSTALLED BY A LICENSED PLUMBER OR GAS-FITTER WHEN INSTALLED IN THE COMMONWEALTH OF MASSACHUSETTS.

A CARBON MONOXIDE (CO) DETECTOR SHALL BE INSTALLED IN THE SAME ROOM AS THE APPLIANCE.

WHAT TO DO IF YOU SMELL GAS:

- **DO NOT TRY TO LIGHT ANY APPLIANCE.**
- **DO NOT TOUCH ANY ELECTRICAL SWITCHES.**
- **DO NOT USE THE PHONE IN YOUR BUILDING. IMMEDIATELY CALL YOUR GAS SUPPLIER FROM A NEIGHBOR'S PHONE.**
- **FOLLOW YOUR GAS SUPPLIER'S INSTRUCTIONS.**
- **IF YOU CANNOT REACH YOUR GAS SUPPLIER, CALL THE FIRE DEPARTMENT.**

AVERTISSEMENT:

ASSUREZ-VOUS DE BIEN SUIVRE LES INSTRUCTIONS DANS CETTE NOTICE POUR REDUIRE AU MINIMUM LE RISQUE D'INCENDIE OU POUR EVITER TOUT DOMMAGE MATERIEL, TOUTE BLESSURE OU MORTALITE'.

NE PAS ENTREPOSER NI UTILISER D'ESSENCE NI OU LIQUIDES INFLAMMABLES DANS LE VOISINAGE DE CET APPAREIL OU DE TOUT AUTRE APPAREIL.

L'INSTALLATION LE SERVICE DOIVENT ETRE EXECUTES PAR UN INSTALLATEUR QUALIFIE, AGENCE DE SERVICE OU LE FOURNISSEUR DE GAZ.

QUE FAIRE SI VOUS SENTEZ UNE ODEUR DE GAZ.

- **NE PAS TENTER D'ALLUMER L'APPAREIL**
- **NE TOUCHEZ A AUCUN INTERRUPTEUR.**
- **NE PAS VOUS SERVIR DES TELEPHONES SE TROUVANT DANS LE BATIMENT OU VOUS VOUS TROUVEZ.**
- **APPELEZ IMMEDIATEMENT VOTRE FOURNISSEUR DE GAZ CHEZ UN VOISIN. SUIVEZ LES INSTRUCTIONS DU FOURNISSEUR.**
- **SI VOUS NE POUVEZ REJOINDRE LE FOURNISSEUR DE GAZ, APPELEZ LE SERVICE DES INCENDIES.**

Welcome to Jøtul...

Congratulations on the purchase of your new Jøtul GF 600 DV II Firelight Gas Heater.

We at Jøtul are glad you've made the decision to warm your hearth with one of our products. Your new Firelight exemplifies our experience as the world's largest manufacturer of solid fuel burning appliances for over 150 years. We've been building fine quality cast iron wood and coal stoves and fireplaces continuously since 1853.

In the Firelight, we've combined advanced gas technology with the warm, traditional elements of cast iron. With proper care and use, your Jøtul stove will provide you with many years of safe, dependable and satisfying service. We appreciate your trust in welcoming our product into your home and invite your comment and appraisal of our efforts to provide you with the finest in home hearth products.

Please take a few minutes to familiarize yourself with this manual and the features of your Firelight gas stove.



Table of Contents

Service Tools	4
Specifications	4
General Information	5
Safety Information	5
Installation Requirements	
Mobile Home Installation	6
Location	6
Hearth Protection	7
Clearances	7
Mantel & Trim	7
Alcove	7
Vent Requirements	8
Adding Restriction	8
Co-linear Hearthmount	9
Vertical Termination	10
Vent Termination Window	10
Horizontal Termination	11
Vent Terminal Clearances	12
Gas Pressure	13
Fuel Conversion	14
High Altitude Adjustment	16
Wall Thermostat	17
Remote Control	17
System Check	19
Flame Appearance	20
Optional Blower Kit	21
Operation	23
Maintenance	24
Illustrated Parts Breakdown	25
Replacement Parts List	26
Lighting Instructions	Back Cover

Jøtul GF 600 DV II Firelight Direct Vent Gas Heater

Manufactured and Distributed by:

Jøtul A.S.A.
Fredrikstad, Norway
Jøtul North America
Gorham, Maine

M.E.A. No. 369-04-E

Test Standards

This appliance complies with National Safety standards and is tested and listed by Intertek Testing Services of



Middleton, Wisconsin to ANSI Z21.88-2002 • CSA 2.33-M02 and CAN/CGA 2.17--M91, CSA P4-01.2 for Canada.

DO NOT ATTEMPT TO ALTER OR MODIFY THE CONSTRUCTION OF THE APPLIANCE OR ITS COMPONENTS. ANY MODIFICATION OR ALTERATION WILL VOID THE WARRANTY, CERTIFICATION AND LISTING OF THIS APPLIANCE.

**NATIONAL
FIREPLACE
INSTITUTE®**



CERTIFIED

www.nficertified.org

We recommend that our gas hearth products be installed and serviced by professionals who are certified in the U.S. by the National Fireplace Institute® (NFI) as NFI Gas Specialists.

GF 600 DV II Firelight Specifications

Input Rates

Natural Gas

40,000 BTU/hr. maximum input
23,900 BTU/hr. minimum input

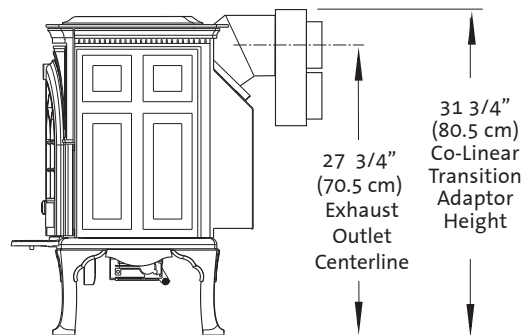
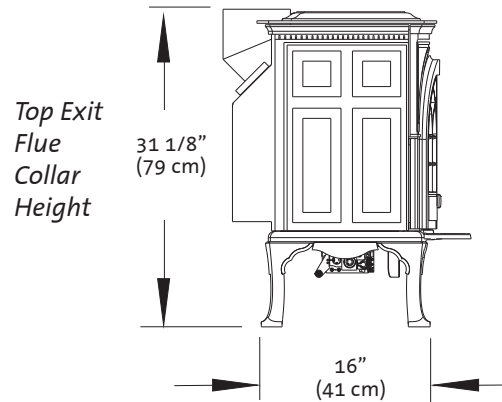
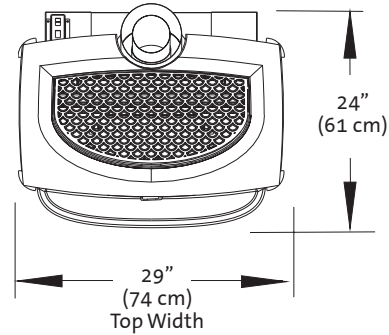
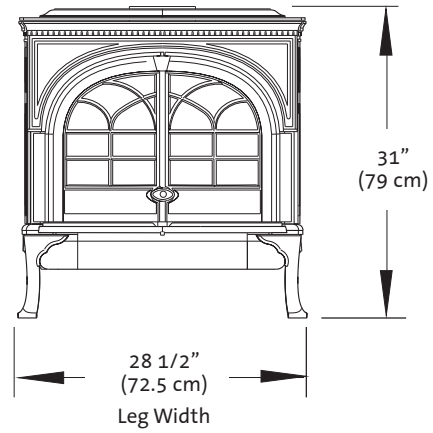
Propane

40,000 BTU/hr. maximum input
20,300 BTU/hr. minimum input

Inlet Pressure:	MIN	MAX
Natural Gas:	5.0 WC (1.24 kPa)	7.0 WC (1.74 kPa)
Propane:	12.0 WC (2.99 kPa)	14.0 WC (3.23 kPa)

Manifold Pressure:	MIN	MAX
Natural Gas:	1.2 WC (0.30 kPa)	3.5 WC (0.95 kPa)
Propane:	2.9 WC (0.72 kPa)	11.0 WC (2.74 kPa)

Piezo Ignitor / Standing Pilot
Weight: 260 lbs.



Co-linear Adapter (Simpson Dura-Vent #923GCL) dimensions.

THIS FIREPLACE IS SHIPPED FROM THE FACTORY FOR USE WITH NATURAL GAS ONLY. IF USE WITH PROPANE IS DESIRED, THE APPLIANCE MUST FIRST BE CONVERTED USING THE FUEL CONVERSION KIT PROVIDED, #155893. CONVERSION SHOULD BE MADE BEFORE THE APPLIANCE IS INSTALLED.

- ### Suggested Tools for Installation and Service
- External regulator (for Propane only)
 - Piping which complies with local code
 - Manual shut-off valve - T-Handle in MA
 - Sediment trap - recommended, even if not required by code
 - Tee joint
 - Pipe wrench
 - Pipe sealant
 - 10 mm open end wrench
 - 1/2", 7/16" open end wrench or deep socket
 - Phillips head screwdriver
 - Flat head screwdriver
 - 1/4" nut driver
 - 4 mm allen wrench
 - Gloves
 - Safety glasses
 - Torx T20 screwdriver
 - Leak test solution
 - Reciprocating Saw
 - Power Drill

General Information

- **THIS HEATER MUST BE INSTALLED AND MAINTAINED BY A QUALIFIED SERVICE AGENCY.**
- The installation and repair of this appliance must be done by a qualified service person. Failure to properly install and maintain this heater could result in an unsafe or hazardous installation, which may result in a fire, explosion, property damage, personal injury or loss of life.
- This appliance should be inspected before use and at least annually. More frequent cleaning may be required due to excessive lint from carpeting, bedding material, etc. It is imperative that control compartments, burners, and circulating air passageways of the appliance be kept clean.
- **THIS APPLIANCE MUST NOT BE CONNECTED TO A CHIMNEY OR FLUE SERVING ANY OTHER APPLIANCE.**
- The installation must conform to local codes. Your local Jøtul dealer can assist you in determining what is required in your area for a safe and legal installation. Some areas require a permit to install a gas burning appliance. Always consult your local building inspector, or authority having jurisdiction, to determine what regulations apply in your area.
- **REMEMBER:** Your local officials have final authority in determining if a proposed installation is acceptable. Any requirement that is requested by the local authority having jurisdiction, that is not specifically addressed in THIS manual, defaults to local code. In the absence of local codes, the installation requirements must comply with the current National codes. In the U.S., these requirements are established in the National Fuel Code, ANSI Z223.1.(NFPA 54). In Canada, the codes have been established in CAN/CGA B149 Fuel Installation Code.
- Installer l'appareil selon les codes ou reglements locaux, ou, en l'absence de tels reglements, selon les Codes d'installation CAN/CGA-B149.
- **DO NOT OPERATE THIS STOVE IF ANY PART HAS BEEN UNDER WATER.** call a qualified service technician to inspect the heater and to replace any part of the control system and any gas control which may have been under water.
- Ne pas se servir de cet appareil s'il a été plongé dans l'eau, complètement ou en partie. Appeler un technicien qualifié pour inspecter l'appareil et remplacer toute partie du système de contrôle et toute commande qui ont été plongés dans l'eau.

Safety Information

During normal operation, the Firelight gas stove will reach high surface temperatures. Therefore:

- Due to the high operating temperatures, this appliance should be located out of traffic areas and away from furniture and draperies.
- Children and adults should be alerted to the hazards of high surface temperatures and should stay away to avoid burns and/or clothing ignition.
- Young children should be supervised while they are in the same room as the Firelight gas stove.
- Clothing or other flammable materials should not be placed ON or NEAR the Firelight gas stove. Surveiller les enfants. Garder les vêtements, les meubles, l'essence ou autres liquides à vapeur inflammables loin de l'appareil.
- NEVER store or use gasoline or any other flammable vapors or liquids in the vicinity of the Firelight gas stove.
- Never burn any other materials in your Firelight gas stove, it is strictly designed for use with natural gas or propane fuel ONLY.
- Any safety screen, glass or guard removed for servicing the appliance must be replaced prior to operating the appliance.

Glass Front

Do not operate the Firelight gas stove with the glass front removed, cracked, or broken. Replacement of the glass should be done by a licensed or qualified service person. Only remove glass for routine service. Always handle glass carefully.

Optional Blower Kit 156000

This appliance must be electrically connected and grounded in accordance with local codes or, in the absence of local codes, with the current NFPA 70-National Electric Code of CSA C22.1 - Canadian Electrical Code.

The blower must be plugged into a grounded outlet. See page 21 for complete instructions.

Installation Requirements

Mobile Home Installation

The GF 600 DV II Firelight can be installed for use in a mobile home in the U.S. and Canada provided:

1. The stove is secured to the floor of the mobile home. Use Jøtul Floor mounting kit #750304.
2. The stove is installed in accordance with Title 24 CFR, Part 3280- Manufactured Home Construction and Safety Standard, in the U.S. Comply with CSA Z240.4, Gas Equipped Recreational Vehicles and Mobile Housing, in Canada.
3. Always contact your local officials about installation restrictions and requirements in your area.

THIS APPLIANCE MAY BE INSTALLED AS AN OEM INSTALLATION IN A MANUFACTURED (MOBILE) HOME AND MUST BE INSTALLED IN ACCORDANCE WITH THE MANUFACTURER'S INSTRUCTIONS AND THE MANUFACTURED HOME CONSTRUCTION AND SAFETY STANDARD, TITLE 24 CFR, PART 3280, STANDARD FOR MANUFACTURED HOME INSTALLATION, ANSI/NCBCS A255.1 OR STANDARD FOR CANADA, CSA Z240.4. THIS APPLIANCE IS ONLY FOR USE WITH THE TYPE OF GAS THAT IS INDICATED ON THE STOVE'S RATING PLATE. AN LP GAS CONVERSION KIT IS PROVIDED WITH THE GF 600 DV II FIRELIGHT GAS STOVE.

THIS APPLIANCE MAY BE INSTALLED IN AN AFTERMARKET PERMANENTLY LOCATED, MANUFACTURED (MOBILE) HOME, WHERE NOT PROHIBITED BY LOCAL CODE.

CET APPAREIL PEUT ETRE INSTALLE DANS UN MAISON PREFABRIQUEE (MOBILE) DEJA INSTALLEE A DEMEURE SI LES REGLEMENTS LOCAUX LE PERMETTENT.

CET APPAREIL DOIT ETRE UTILISE UNIQUEMENT AVEC LES TYPES DE GAS INDIQUES SUR LA PLAQUE SIGNALETIQUE. NE PAS L'UTILISER AVEC D'AUTRES GAS SAUF SI UN KIT DE CONVERSION CERTIFIE EST INSTALLE.

Location

In selecting the location, the aesthetic and functional use of the appliance are primary concerns. However, proper venting systems and access to the fuel supply are also important issues. Due to the high surface temperatures, you must also consider the proximity of traffic areas, furniture, draperies, etc.

This appliance may be located on or near conventional construction materials. HOWEVER, always maintain the proper clearances to combustibles, as this provides adequate ventilation air around the appliance.

The following clearances and hearth requirements are the minimum requirements when installing the Firelight gas stove near or on combustible surfaces. Always provide adequate access around the appliance for servicing and proper operation.

A combustible surface is anything that can burn (i.e. sheet rock, wall paper, wood, fabrics etc.). These surfaces are not limited to those that are visible and also include materials that are behind non-combustibles.

If you are not sure of the combustible nature of a material, consult your local fire officials. Remember, "Fire Resistant" materials are considered combustible: they are difficult to ignite, but will burn. Also, "fire-rated" sheet rock is considered combustible.

Hearth Requirements

The Firelight gas stove CANNOT be installed directly on carpeting, vinyl, linoleum or wood laminates, such as Pergo®.

If this appliance is to be installed on any combustible material OTHER THAN WOOD, a floor pad must be utilized that is either metal, wood or a listed hearth pad. This floor protection must extend the full width and depth of the appliance. It is not necessary to remove the carpeting, vinyl or linoleum from underneath the floor protection. See Fig. 1.

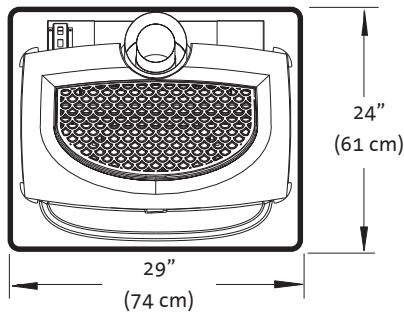


Figure 1. Minimum Hearth Protection

ALCOVE SPECIFICATIONS:

Maximum Alcove Depth:	24"	(61 cm)
Minimum Alcove Width:	36"	(91 cm)
Minimum Ceiling Height:	61"	(155 cm)
	<i>from floor</i>	

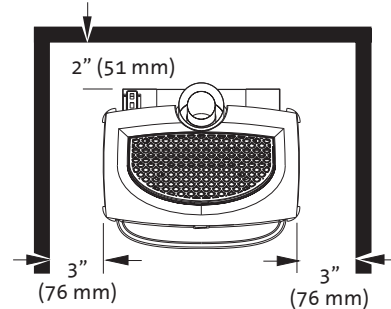


Figure 2. Parallel Installation Clearances

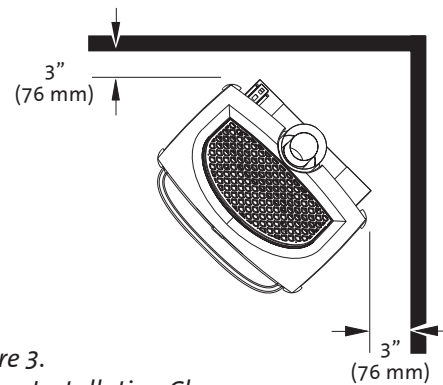


Figure 3. Corner Installation Clearance.

Stove and Vent Clearance Requirements

Minimum Clearances: See figs. 2-3.

- Rear: 2" (51 mm) from Rear Shroud
- Ceiling: 30" (762 mm) from Stove Top
- Corner: 3" (76 mm) from Stove Top
- Sides: 3" (76 mm) from Stove Top

Minimum Clearances from the Vent Pipe to Combustibles:

Horizontal Run:

- Off the top of the pipe - 2" (51 mm)
- Off the sides and bottom - 1" (25 mm)

Vertical Run:

- All sides 1" (25 mm)

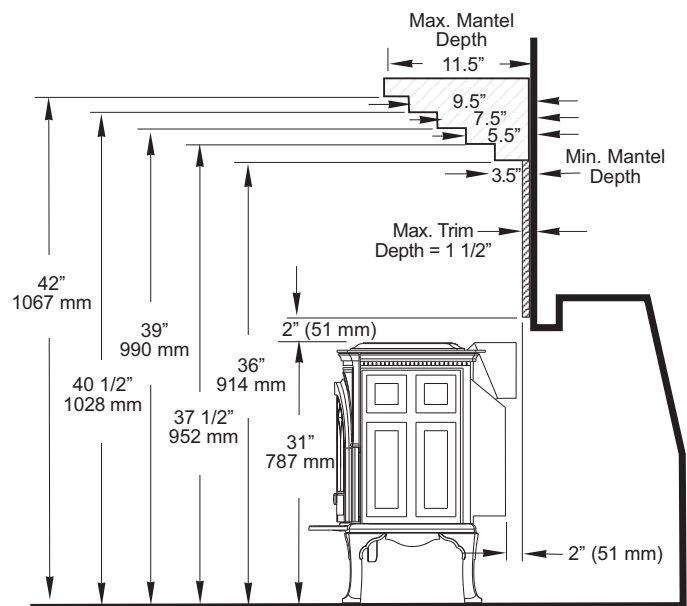


Figure 4. Mantel and Trim Clearances: As tested, with back of stove located 2 in. minimum from fireplace face.

Venting Requirements

There are three types of venting configurations approved for use with this appliance:

- **Vertical Venting** (Vertical Termination)
- **Hearthmount Co-Linear** (Vertical Termination)
- **Horizontal Termination** (Horizontal Termination)

The Jøtul GF 600 DV II Firelight is approved for use with the 4/6 direct vent systems listed below. Use parts of one manufacturer only - DO NOT MIX VENT COMPONENTS FROM DIFFERENT MANUFACTURERS IN THE SAME SYSTEM.

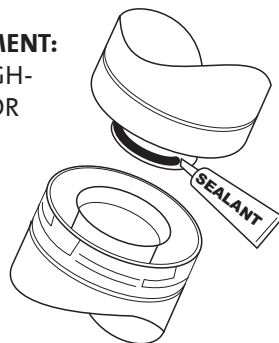
- **Simpson Dura-Vent GS**
- **Amerivent Corporation**
- **Security Vent Ltd.**
- **Selkirk Metalbestos**

Installation of any components not manufactured or approved by Jøtul or failure to meet all clearance requirements will void all warranties and could result in property damage or bodily injury.

The approved vent configurations described in this manual are derived from extensive testing under controlled laboratory conditions. Gas appliance performance can be negatively affected by variables present in the installation environment, i.e.: atmospheric pressure, strong prevailing winds, adjacent structures and trees, snow accumulation, etc. These conditions should be taken into consideration by the installer and stove owner when planning the vent system design.

IMPORTANT

- **JOINT SEALING REQUIREMENT:** APPLY A 1/8" BEAD OF HIGH-TEMPERATURE SEALANT OR MIL-PAC® TO THE MALE SECTION OF THE INNER VENT PIPE. THE CEMENT SHOULD FORM A SEAL BETWEEN THE INNER AND OUTER PIPES.
- NEVER MODIFY ANY VENTING COMPONENT, OR USE ANY DAMAGED VENTING PRODUCT.
- THE GAS APPLIANCE AND VENT SYSTEM MUST BE VENTED DIRECTLY TO THE OUTSIDE OF THE BUILDING AND NEVER ATTACHED TO A CHIMNEY SERVING A SOLID FUEL OR GAS BURNING APPLIANCE. EACH DIRECT VENT GAS APPLIANCE MUST HAVE ITS OWN SEPARATE VENT SYSTEM. COMMON VENT SYSTEMS ARE PROHIBITED.



- IF VENTING SYSTEM IS DISASSEMBLED FOR ANY REASON, REINSTALL PER THE MANUFACTURER'S INSTRUCTIONS PROVIDED FOR THE INITIAL INSTALLATION.

Vertical Vent Requirements

The GF 600 DV II Firelight features a sliding shutter that allows exhaust vent restriction adjustment from outside the firebox. See fig. 5. **The shutter is set in the fully open position (A) at the factory.** The final position of the restriction shutter is determined by your individual vent configuration as indicated in fig. 10 on page 11. Further fine tuning can be made to compensate for draft characteristics that would otherwise interfere with proper burner performance such as low heat output, weak flame picture, or inefficient combustion.

Exhaust Restrictor Adjustment

1. Remove the Top Plate from the stove.
2. Loosen the wingnut on the Restrictor Stem and push it to the left to align with the hash marks on the exhaust manifold that correspond with the appropriate setting, (B, C, or D). See figs 5 and 9.
3. After the burner has been operating for 15 minutes, make any further adjustment in 1/8" increments until the desired flame picture is achieved. Operate the burner for 10-15 minutes between additional adjustments.
4. Tighten the wingnut and replace the Top Plate.

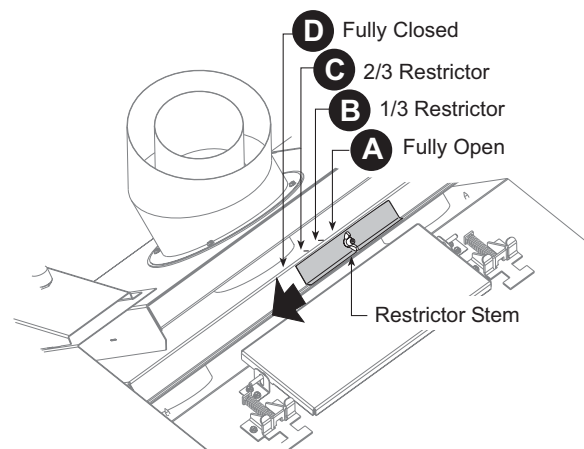


Figure 5. Exhaust Restriction adjustment; slide shutter stem to left to increase restriction.

Co-linear Hearthmount Installation

The GF 600 DV II Firelight can be installed using a Hearthmount Co-linear Flexible Vent System, designed for installation into a solid fuel-burning masonry fireplace. See Figures 6 and 6a.

- Refer to the vent manufacturer's instructions for venting components and installation details.
- Installation of approved Co-linear Adapter directly off the rear of the stove. (No length of pipe prior to the adaptor).
- Only 3" listed flexible gas vent liners may be used in this installation.
- Installation of a Chimney Top Kit will provide a seal at the top of the chimney. The fireplace damper may be removed and no further block-off is required. See fig. 6.

WARNING: FAILURE TO POSITION THE PARTS AND STOVE IN ACCORDANCE WITH THESE DIAGRAMS OR FAILURE TO USE ONLY PARTS SPECIFICALLY APPROVED FOR USE WITH THIS APPLIANCE MAY RESULT IN PROPERTY DAMAGE OR PERSONAL INJURY. BE SURE TO MAINTAIN THE PROPER CLEARANCES TO COMBUSTIBLES AS DEFINED IN THIS MANUAL AND IN THE INSTRUCTIONS PROVIDED WITH EACH VENT COMPONENT.

IMPORTANT NOTICE:
 THE USE OF AN EXISTING CHIMNEY AS AN AIR INTAKE IS NOT COVERED UNDER THE ANSI Z21.88-1999-CSA 2.33-M99 TEST METHODS AND RESULTING ITS/WHI PRODUCT CERTIFICATION. THE CODE AUTHORITY HAVING JURISDICTION MUST BE CONSULTED PRIOR TO PROCEEDING WITH THIS INSTALLATION METHOD.

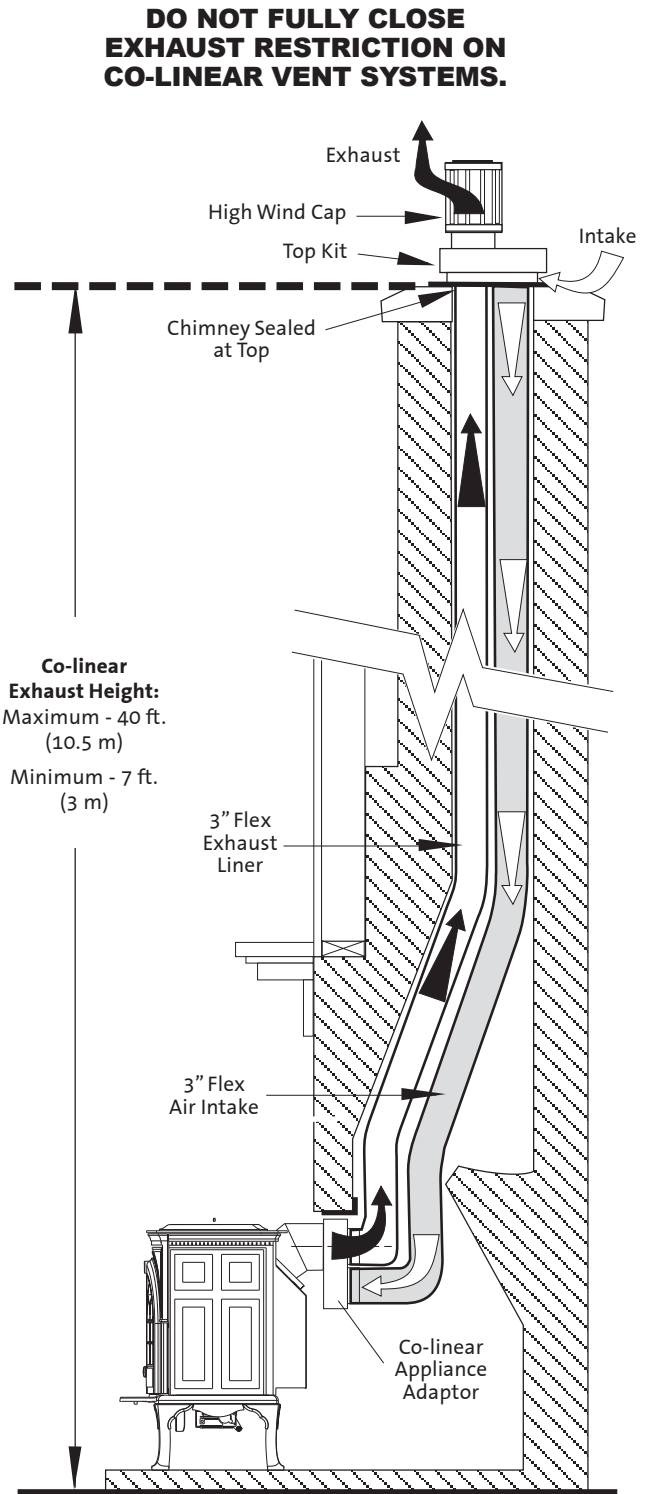


Figure 6. Co-linear Hearthmount Vent System

Vertical Venting and Termination

The GF 600 DV II Firelight can be vertically vented through a roof or ceiling. Follow these guidelines

- Steep roofs, nearby trees, or predominantly windy conditions, can promote poor draft or down draft conditions. In such cases, an increase to the height of the vent may improve performance.
- If an offset or elbow is necessary in the vertical rise, the vent pipe must be supported every three feet to avoid excessive stress on the offsets. Use listed Wall Straps from any of the approved vent suppliers.
- **A maximum of two 90° or four 45° elbows may be used.** Whenever possible, use 45° elbows instead of 90° elbows as they offer less restriction to the flow of flue gases and intake air.
- A firestop is required at every floor penetration. The opening should be framed to 10" X 10" inside dimension. **A listed wall thimble is required as a firestop.**
- Always maintain a minimum 1" clearance from all sides of the vertical vent system to any combustible material.
- **IT IS NECESSARY to add restriction** to a vertical vent installation to compensate for excessive draft. See page 8; Adjusting Vent Restriction.
- **GAS VENT HEIGHT:** In no case shall any discharge opening on the cap be less than 18" (457 mm) horizontally from the roof surface.

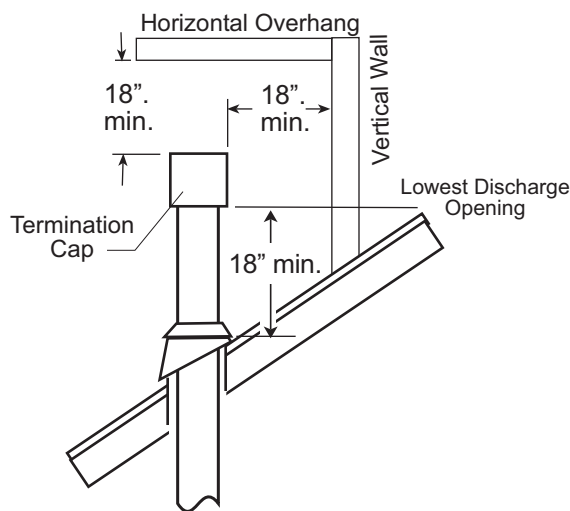


Figure 8. Vent height and clearance from adjacent surfaces.

ANY VENTING WITH A VERTICAL RISE MUST TERMINATE (END) WITHIN THE SHADED AREA.

Vent restriction is required for:

- All Co-linear (flex pipe), but not fully closed.
- All Coaxial (rigid pipe) venting higher than 7 feet.
- Adjust restriction as shown on page 8.
- If termination falls directly on a dashed zone division line, use the less restrictive setting; i.e. vent terminating at 15 feet will require 1/3 restriction, Position B.

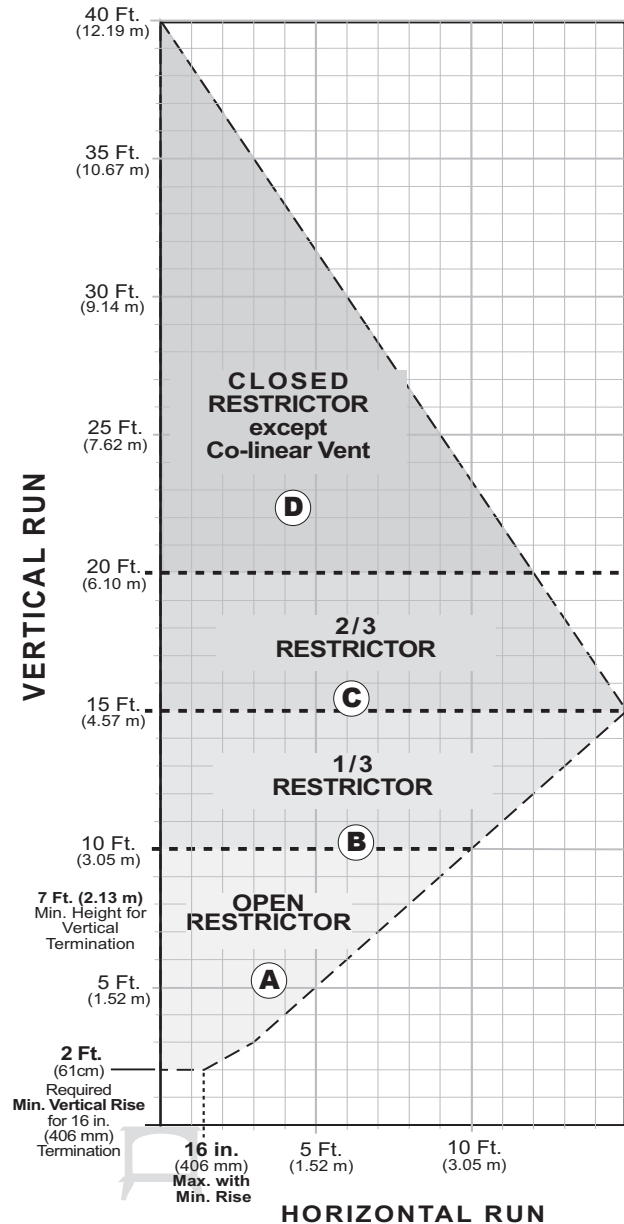


Figure 9. Vent termination must fall within the shaded areas. Set exhaust restriction in the position appropriate to the zone in which the vent terminates.

Horizontal Termination

- **Minimum vertical rise** from the top exit position is a **24"** section vent pipe. See fig. 10.

- **A horizontal vent run made directly off the rear of the stove must terminate ONLY with a 36" Snorkel Cap.**

The maximum horizontal run shall include no more than a **single 24"** section of pipe. See figs. 11 and 11a.

A single 45° Elbow may be used to offset the vent for a corner installation as in fig. 11.

- **The termination cap must not be recessed into the wall or siding.** Do not fill air space in wall around termination cap with any type of insulation.

- **Wall Cut-out:** A minimum 10" X 10" square hole is adequate for proper pipe clearance through a wall, provided the vent is positioned to maintain 2" minimum clearance at the top. A 1" minimum clearance must be maintained to combustible material around the other sides.

- **Maximum Wall Thickness: 14 in. (356 mm)**

- Any horizontal run of vent must be level or have a 1/4" rise for every foot of run toward the termination cap.

- **Installation of a Vinyl Siding Standoff is required** to prevent damage to vinyl siding between the vent cap and the exterior wall.

- **The horizontal termination cap must maintain a 3" clearance to any overhead combustible projections that are 2 1/2" or less.** It must also maintain a 12" clearance from projections that exceed 2 1/2". See fig. 13.

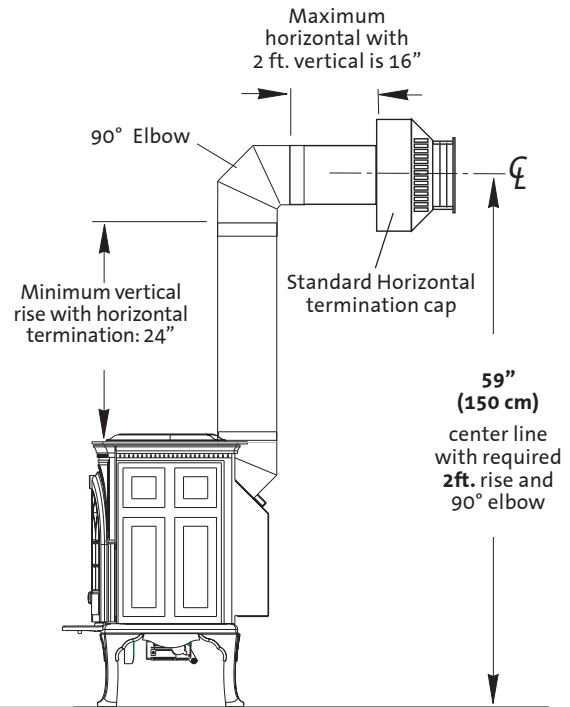


Figure 10. A vertical run in a horizontal termination must be at least 2 feet (61 cm).

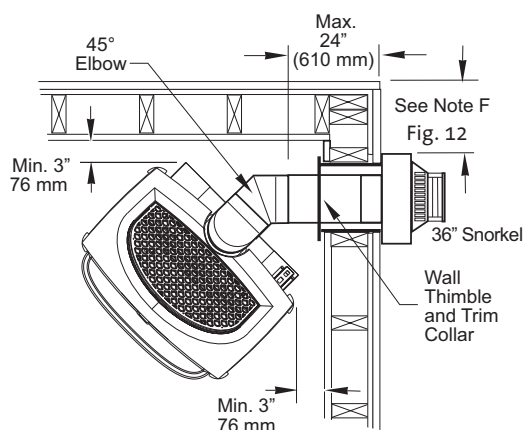


Figure 11. Rear Exit Corner Termination, only into a 36" Snorkel. Maximum horizontal run is 24" (610 mm) with one 45° Elbow.

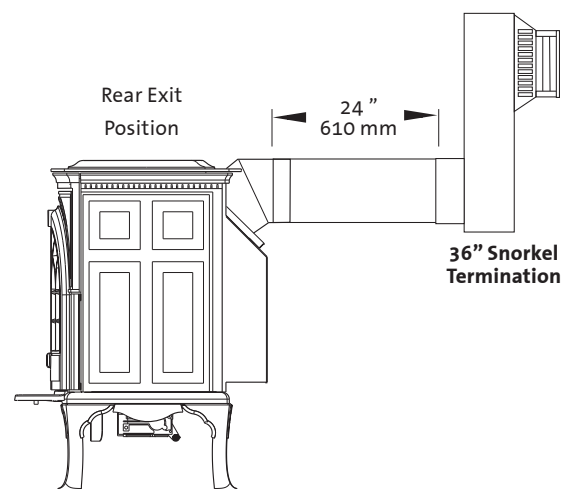
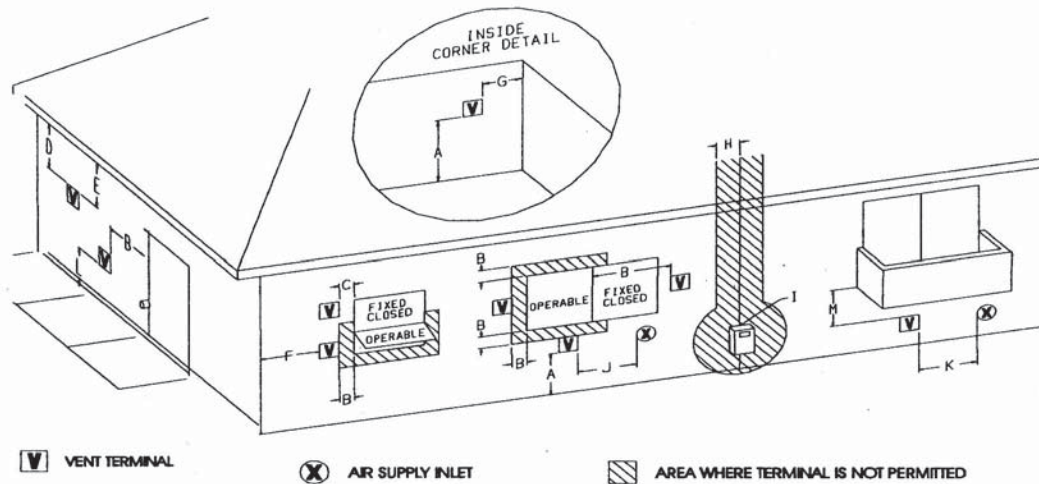


Figure 11a. Rear Exit Horizontal Termination, only into a 36" Snorkel. Maximum horizontal run is 24" (610 mm).

Figure 12. Horizontal Termination Clearance



- A** = Clearance above grade, veranda, porch, deck, or balcony : **12 inches (30 cm) minimum.**
- B** = Clearance to window or door that may be opened:
****Min. 9 inches, U.S. / *12 inches (30 cm) CAN.**
 We recommend 12in. minimum to prevent condensation on the window.
- C** = Clearance to permanently closed window:
****Min. 9 inches, U.S. / *12 inches (30 cm) CAN**
 We recommend 12 in. minimum to prevent condensation on the window.
- D** = Vertical clearance to ventilated soffit located above the terminal within a horizontal distance of 2 feet (60 cm) from the centerline of the terminal: **18 inches (46 cm) minimum.**
- E** = Clearance to unventilated soffit: **12 inches (30 cm) minimum.**
- F** = Clearance to outside corner: ****Min. 9 inches, U.S. / *12 inches (30 cm) CAN.** We strongly recommend 12 inches, particularly where windy conditions prevail.

- G** = Clearance to inside corner: **** Min. 6 inches, U.S. / *12 inches (30 cm) CAN.** We strongly recommend 12 inches, particularly where windy conditions prevail.
- H** = *Not to be installed **within 15 feet (4.5 m) above a meter/regulator assembly within 3 feet (90 cm) horizontally** from the centerline of the regulator.
- I** = Clearance to service regulator vent outlet: **3 feet (91 cm) minimum.**
- J** = Clearance to nonmechanical air supply inlet to building or the combustion air inlet to any other appliance: **12 inches (30 cm) minimum.**
- K** = Clearance to a mechanical air supply inlet: ****Min. 3 feet (91 cm) above if within 10 feet horizontally, U.S. / *6 feet (1.83 m) minimum / CAN**
- L** = ¹ Clearance above paved sidewalk or a paved driveway located on public property: **7 feet (2.1 m) min.**
- M** = Clearance under veranda, porch, deck, or balcony: **12 inches (30 cm) minimum.**²

* In accordance with **CSA B149 Installation Codes.**
 ** In accordance with the current **ANSI Z223.1/NFPA 54, National Fuel Gas Code.** Note: Local Codes and Regulations may require different clearances.

¹ A vent shall not terminate directly above a sidewalk or driveway which is located between two single family dwellings and serves both dwellings.

² Only permitted if veranda, porch, deck, or balcony, is fully open on a minimum of two sides beneath the floor.*

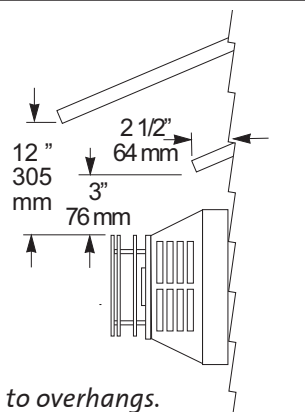


Figure 13. Termination clearance to overhangs.

Gas Connection

NOTE: INSTALL THE OPTIONAL BLOWER KIT # 156000 BEFORE CONNECTING THE GAS SUPPLY LINE.

The gas supply line connection is made to the LEFT side of the valve. The supply line should be 3/8" or 1/2" diameter, or the appropriate size to provide sufficient gas pressure to the valve regardless of the input setting.

The use of flexible gas appliance connectors is acceptable in many areas in the U.S., however, Canadian methods vary depending on local code.

ALL INSTALLATIONS MUST COMPLY WITH LOCAL CODE OR IN THE ABSENCE OF LOCAL CODE, MUST COMPLY WITH THE MOST RECENT EDITION OF THE NATIONAL FUEL GAS CODE ANSI Z223.1/NFPA 54 OR CAN-B149.

All codes require a gas shut-off valve (gas cock) and union to be installed in the supply line and in the same room as the appliance for servicing and maintenance. See Figure 14.

T-handle gas cocks are required in Massachusetts in compliance with Code 248 CMR.

Secure all joints tightly using appropriate tools and sealing compounds (for propane units be sure to use compounds that are propane resistant). Turn on gas supply and test for gas leaks using a soapy water solution. Never use an open flame to check for leaks.

Leak test:

1. Mix a 50-50 solution of water and dish soap.
2. Light appliance- see lighting instructions on page 27 of this manual or on the stove's rating plate.
3. Brush or spray all joints and connections with the soapy water solution.
4. If bubbles appear at any connection or seam or a gas odor is detected immediately turn gas control knob to the OFF position.
5. Tighten or reconnect the leaking joint and retest for any gas leaks.

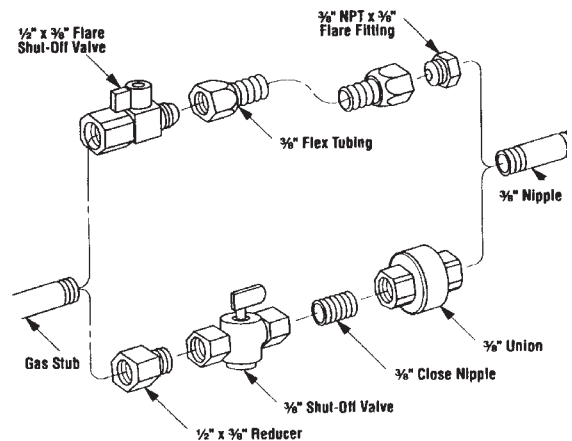


Figure 14. Gas supply valve types and fittings.

Gas Pressure

Proper gas pressure provides a consistent flow of gas to the appliance and is instrumental in checking for gas leaks. The gas control valve on the stove is equipped with pressure test points for gauge connections.

The gauge connections are located on the front of the valve under the Gas Control Knob. See Fig. 15. Gauge connections are identified by:

- **E** for **inlet** or supply pressure (the amount of gas coming to the valve.)
- **A** for **manifold** pressure (the amount of gas that is coming out of the valve to the burner.)

ALWAYS TEST PRESSURES WITH VALVE CONTROL KNOB SET ON HIGH.

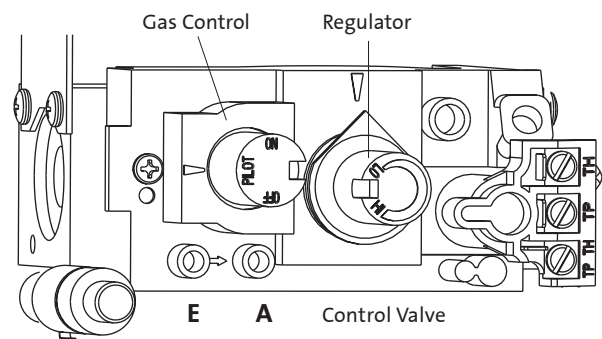


Figure 15. Inlet (E) and Manifold (A) pressure test points.

INLET GAS PRESSURES (inches water column)		
	MIN	MAX
NATURAL GAS	5.0 WC	7.0 WC
PROPANE	12.0 WC	14.0 WC

The appliance and its main gas valve must be disconnected from the gas supply piping system during any pressure testing on that system at test pressures in excess of 1/2 psig (3.5kPa).

The appliance must be isolated from the gas supply line by closing its individual manual gas shut-off valve (gas cock) during any pressure testing of the gas supply piping system that is equal to or exceeds pressures of 1/2 psig (3.5kPa).

MANIFOLD PRESSURES		
	MIN	MAX
NATURAL GAS	1.2 WC	3.8 WC
PROPANE	2.9 WC	11.0 WC

NOTICE:
DO NOT ALLOW THE INLET GAS PRESSURE TO EXCEED 13.5" WC (OR 1/2 PSIG) AS SERIOUS DAMAGE TO THE VALVE CAN RESULT.

Fuel Conversion

The GF 600 DV II Firelight gas stove is shipped from the factory equipped to burn NATURAL GAS. Use the Fuel Conversion Kit included with the stove, to convert the burner for use with Propane. The kit contains all the necessary components needed to complete the task and ensure safe operation, including labels that must be affixed to the stove.

CAUTION: Before proceeding with this conversion, the gas supply must be shut off prior to disconnecting the electrical power.

WARNING:
 THE CONVERSION KIT IS TO BE INSTALLED BY AN AUTHORIZED JØTUL SERVICE TECHNICIAN IN ACCORDANCE WITH THE MANUFACTURER'S INSTRUCTIONS AND ALL CODES AND REQUIREMENTS OF THE AUTHORITY HAVING JURISDICTION. FAILURE TO FOLLOW THESE INSTRUCTIONS COULD RESULT IN SERIOUS INJURY OR PROPERTY DAMAGE. THE QUALIFIED AGENCY PERFORMING THIS WORK ASSUMES RESPONSIBILITY FOR THIS CONVERSION.

Conversion Kit (LPG #155893, NG # 155894)

Tools required:

- 1/4" nut driver
- 1/2" & 13 mm open end wrench or deep-well socket
- Torx T20 or slotted screwdriver
- 7/16" open end wrench
- 3 mm allen wrench
- 4 mm allen wrench

Conversion Kit Contents:

- 1 regulator tower labeled for propane
- 3 regulator tower screws
- 1 burner orifice (3.2 mm for NG, #49 for LP)
- 1 pilot orifice (#51 for NG, #30 for LP)
- Label A - to be completed and applied to the back of the stove
- Label B - apply to the rating plate
- Small valve label - apply to valve body
- Conversion instructions

IN CANADA:

THE CONVERSION SHALL BE CARRIED OUT IN ACCORDANCE WITH THE REQUIREMENTS OF THE PROVINCIAL AUTHORITIES HAVING JURISDICTION AND IN ACCORDANCE WITH THE REQUIREMENTS OF THE CAN1-B149.1 & .2 INSTALLATION CODE.

Fuel Conversion Procedure

1. Turn off gas supply to the stove.
2. Remove the Grille and Top Plate.
3. Release the spring latches atop the firebox and lift glass assembly up and out of the stove.
4. Remove the Logset and lift out the Rear Wall Skirt and Burner Skirt, fig. 16.

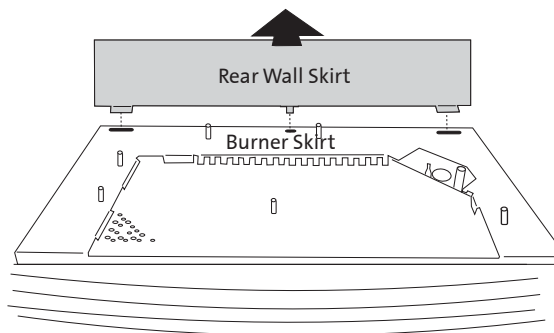


Figure 16. Lift the Rear Wall Skirt and Burner Skirts.

5. Remove the wingnut and fender washer from the Air Shutter stem, located under the stove, directly behind the valve. See fig. 17.
6. **Pull the Burner Plate** forward to disengage it and the Air Shutter from the burner orifice and lift it out of the firebox.
7. **Change the main burner orifice.** Using a 1/2" open end wrench or deep-well socket, remove the burner orifice from the brass orifice holder. Replace with the orifice supplied in the kit. Tighten securely.
8. **Change the Pilot Orifice.** From within the firebox, pull the pilot hood off the pilot assembly. See Fig. 18. Using the 4 mm allen wrench included with the conversion kit, remove the original pilot orifice (counterclockwise). Replace with the appropriate orifice:
 - #51 for natural gas
 - #30 for propane
9. Tighten orifice into the base of the pilot assembly. Be sure the orifice is **tightly secured to prevent bypass leakage**. Replace pilot hood onto the pilot assembly.
10. Replace the Air Shutter over the burner orifice. **Note that NG/LP designations are stamped on the sides of the shutter. Orient the shutter so that the appropriate fuel designation is on the right, facing the pilot assembly.** See fig. 17a.
11. **Reinstall the Burner Plate** by engaging the tube with the Air Shutter.
12. Replace the fender washer and wingnut on the Air Shutter stem under the firebox. Secure loosely for adjustment later.
13. **Replace the Rear Wall Skirt and Burner Skirt.**
14. **Replace the variable regulator.** Using a Torx T-20 screwdriver, remove the three specialty screws from the HI/LO regulator on the front of the valve. Note: To help identify which screws to remove, refer to the new regulator in the kit. See Figure 19.
15. **Remove the regulator tower and the gasket.** Be sure to remove the black rubber gasket from the valve.
16. Install the new variable regulator tower from the kit. Be sure that the gasket is properly positioned and **tighten screws securely**.
17. **Install the identification labels** to the stove so that they can be seen by any person that may be servicing the stove.

- Label A: Apply to back of stove.
- Label B: Apply to the Rating Plate.
- Small valve sticker: Apply to valve.

NEVER USE AN OPEN FLAME TO CHECK FOR GAS LEAKS.

It is important that the correct gas pressure be established at the time of installation. For more details see the Gas Pressure section of this manual (page 13).

ALWAYS REFER TO THE LIGHTING INSTRUCTIONS ON THE INSIDE BACK COVER OF THIS MANUAL WHEN LIGHTING THE STOVE.

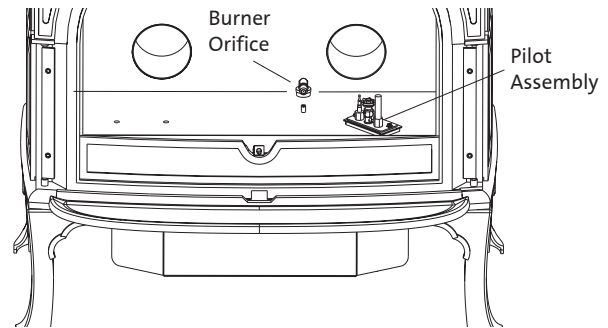


Figure 16a. Burner orifice and pilot assembly locations.

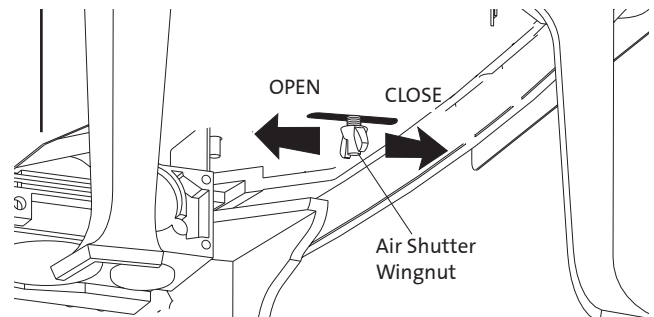


Figure 17. Remove the Air Shutter wingnut and fender washer.

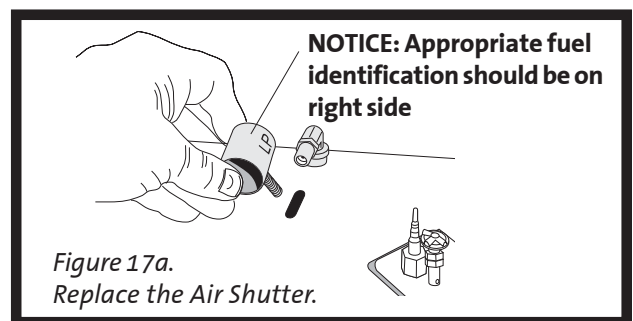


Figure 17a. Replace the Air Shutter.

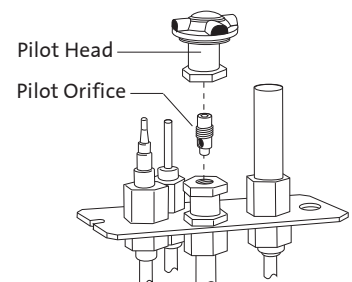


Figure 18. Remove pilot head and pilot orifice.

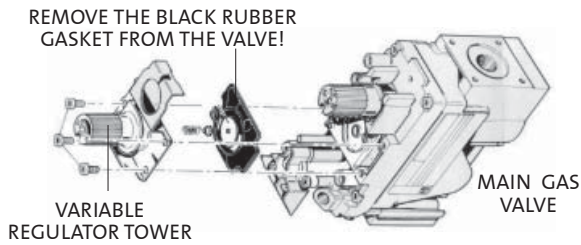


Figure 19. Regulator parts.

18. Install the Brick Panels, Log Set and Embers as appropriate. See pages 18-19.
19. Adjust the primary Air Shutter and flame appearance following instructions on page 20.
20. Reassemble the stove, apply gas to the system and check for leaks using a soapy water solution.

High Altitude Adjustment

The decreased atmospheric pressure of higher altitudes affects heat value of gaseous fuels. Most gas suppliers derate the gas intended for use at elevations above 2000 feet. Check with your gas supplier before performing derate adjustment to the burner.

The Jøtul GF 600 DV II may be adjusted for altitude over 2000 ft. (610 - 1371 m) for natural gas. Check with your gas supplier and, if necessary, install High Altitude Adjustment Kit 155808.

DO NOT DERATE FOR PROPANE.

For the U.S:

THE DERATING KIT MUST BE INSTALLED BY AN AUTHORIZED SERVICE TECHNICIAN IN ACCORDANCE WITH THE MANUFACTURER'S INSTRUCTIONS AND ALL CODES AND REQUIREMENTS OF THE AUTHORITY HAVING JURISDICTION. THE INFORMATION STICKER MUST BE FILLED OUT BY THE INSTALLER AND ADHERED TO THE APPLIANCE AT THE TIME OF THE CONVERSION. THE QUALIFIED SERVICE AGENCY PERFORMING THIS WORK ASSUMES RESPONSIBILITY FOR THIS DERATING.

For Canada:

This unit has been tested for installation at high altitudes in accordance with Canadian test standard CAN/CGA-2.17.

THE DERATING SHALL BE CARRIED OUT IN ACCORDANCE WITH THE REQUIREMENTS OF THE PROVINCIAL AUTHORITIES HAVING JURISDICTION AND IN ACCORDANCE WITH THE REQUIREMENTS OF THE CAN1-B-149.1 AND .2 INSTALLATION CODE.

Derating Procedure

Follow Steps 1-7 of the Fuel Conversion procedure on pages 15-16 to change the burner orifice for use with Natural Gas. Use the 3.1 mm orifice supplied with the High Altitude Adjustment Kit. Instructions are also included.

INSTALLER: Fill out the appropriate information and apply the high altitude conversion label provided to the rating plate on the appliance.

<p>THIS STOVE HAS BEEN CONVERTED FOR USE AT AN ALTITUDE OF: _____</p> <p>Orifice Size: _____ Manifold Press. _____</p> <p>Input Btu/Hr. _____ Fuel Type _____</p> <p>Date of Conversion _____</p>

Figure 19. High Altitude Conversion Label.

Optional Controls

Wall Thermostat

Use only a 750 millivolt DC two-wire circuit thermostat, placed in the same room as the heater, typically 5' off the floor. Avoid drafty areas or any area that may affect the accuracy of the thermostat.

The thermostat should be connected to the stove using a minimum of 16 gauge wire with a maximum length of 35 feet of wire.

Connect the two thermostat wire leads to the two left terminals on the terminal block located on the valve. Do not overtighten the connections. IT IS NOT NECESSARY TO DISCONNECT ANY OTHER WIRES. See Fig. 22.

At the thermostat, the two wires should be connected to the two connection screws on the thermostat base plate per the manufacturer's instructions.

For thermostatic operation, the On/Off/T-Stat switch must be in the T-stat position, and the pilot light must be on.

Remote Control

When using a remote, the remote receiver should be wired to the terminal block the same way the thermostat would be. See the instructions above.

Follow the operating instructions included with the Remote Control unit.

CAUTION:
LABEL ALL WIRES PRIOR TO DISCONNECTION WHEN SERVICING THE CONTROLS. WIRING ERRORS CAN CAUSE IMPROPER OR DANGEROUS OPERATION. ALWAYS VERIFY PROPER OPERATION AFTER SERVICING THE APPLIANCE.

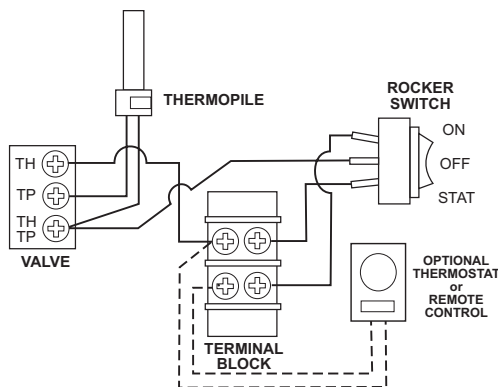


Figure 20. Accessory wiring diagram.

Optional Brick Kit 155888

CAUTION!
THE BRICK PANELS AND LOG PARTS ARE EXTREMELY FRAGILE. USE BOTH HANDS TO SUPPORT EACH PIECE AS YOU HANDLE THEM.

Carefully unpack the panels and identify the parts by the illustration, fig. 20.

- 1. Remove the Top Plate.** Simply lift it up off of the stove body.
- 2. Remove the Glass Frame.** Disengage the two spring latches located at the top of the firebox and lift the frame up and out through the top.
- 3. Install the Right Side Panel.** Position the panel, upper end first, beyond the exhaust baffle and then against the firebox wall. Slide it forward against the firebox front.
- 4. Install the Lower Rear Panel.** Orient the panel so that the course of three full bricks is on top.
- 5. Install the Left Side Panel as you did the right side.** Be sure to push the panel forward, up against the firebox front.
- 6. Install the Upper Rear Panel.** Orient the panel with the rounded edge on top. Set the panel up high and then carefully lower it to seat its bottom edge against the top of the lower panel. The side panels will hold it in place.

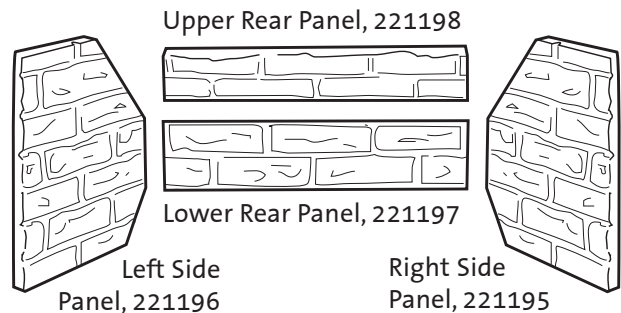


Figure 21. Orient the panels as shown here.

Install the Log Set

The five-piece log set is packaged inside the firebox. It includes a bag of ember stones that simulate glowing coals when the burner is operating.

Do not handle the log set with your bare hands. Always wear gloves to prevent skin irritation from the ceramic fibers.

1. **Install the Logset and Ember Stones** as shown in figures 22-27.
2. **Replace the Glass Frame.**
Slide the glass frame back down against the front of the firebox until it is securely seated at the bottom. Pull the latches forward to engage with the notches in upper frame rail.
3. **Replace the Top Plate and Grille.**

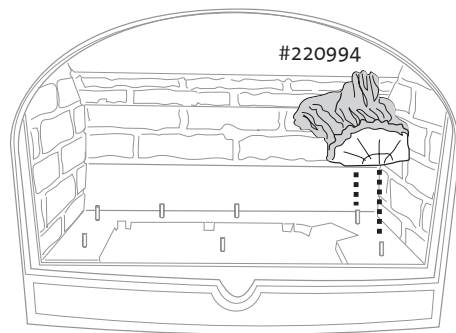


Figure 22.
Install Right Log on pins.

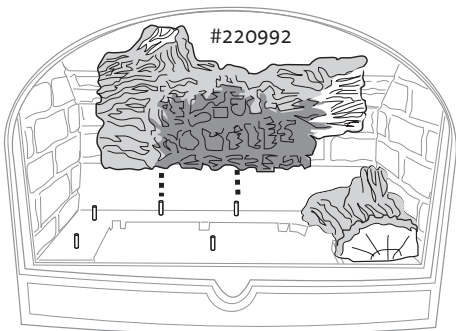


Figure 23.
Install Rear Log on pins.

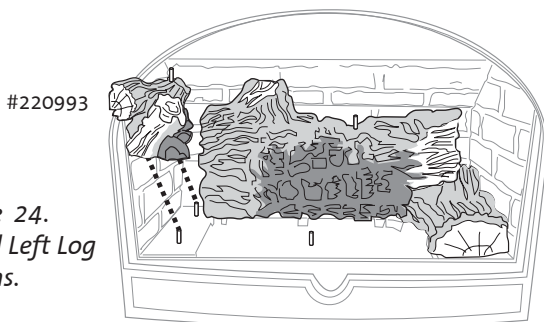


Figure 24.
Install Left Log on pins.

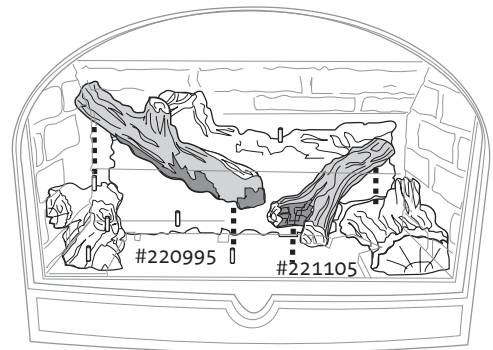


Figure 25.
Left Middle Log rests on pins.
Right Middle Log rests in place.

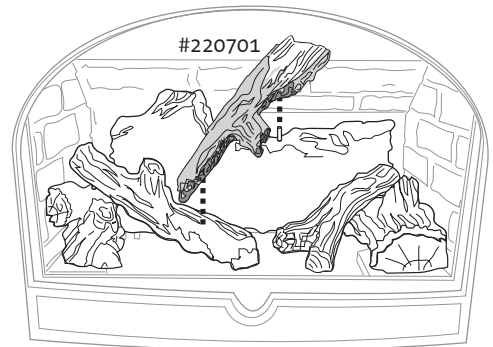


Figure 26.
Engage the Top Log with the pin in the Rear Log and rest the lower end over the Left Middle Log.

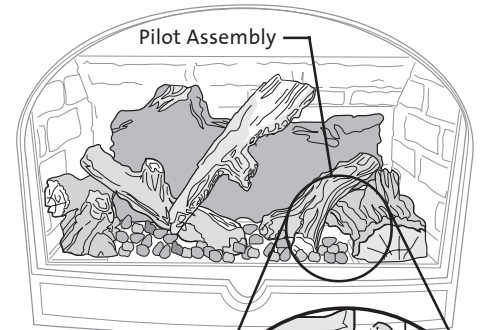
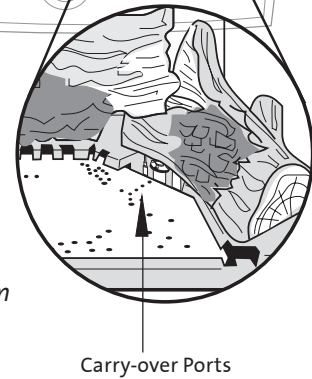


Figure 27.
Loosely spread the Ember Stones over the burner plate. Take care to keep ember stones off of the pilot carry-over ports and away from the Pilot Assembly.



Carry-over Ports

System Check

1. PURGING THE GAS LINE: When lighting the appliance for the first time, it will take a few moments to clear the gas line of air. Once this purge is complete, the appliance will operate as described in the lighting instructions. From a cold start, it may be helpful to let the pilot light burn for 10 - 15 minutes to establish positive draft, before turning the burner on. See the inside back cover of this manual or the stove Rating Plate attached the bottom of the stove. Subsequent lightings of the stove will not require purging the gas line unless the supply line is shut off.

2. PILOT FLAME: The pilot flame should be steady - not lifting or floating. The flame should be blue in color around the pilot hood, with traces of yellow toward the outer edges.

The pilot flame should engulf the top 3/8" of the thermopile (to generate millivolt current) and the top 1/8" of the thermocouple. The pilot flame should project out of the pilot hood 1" at all three ports. See fig. 28.

Be certain that the burner plate is securely positioned so that the carry-over ports are aligned with the Main Pilot flame as in fig. 28a.

3. BURNER ADJUSTMENT: The Jøtul GF 600 DV II Firelight gas stove is equipped with a variable gas control valve that provides 50% turn-down of the flame height, appearance, and heat output. To adjust the flame between the HI and LOW setting, rotate the HI/LOW knob, located in the center of the valve face. See figs.15 and 29.

NO SMOKE OR SOOT SHOULD BE PRESENT. CHECK LOG PLACEMENT IF ANY SOOT OR SMOKE IS DETECTED. IF SOOT OR SMOKE PERSISTS, THE AIR SHUTTER MAY NEED TO BE ADJUSTED.

Note: the more offsets there are in the vent system, the greater the need for an air shutter adjustment.

WARNING:

AIR SHUTTER ADJUSTMENTS SHOULD ONLY BE PERFORMED BY A QUALIFIED PROFESSIONAL SERVICE TECHNICIAN.

CAUTION:

DO NOT ATTEMPT TO ALTER THE FLAME APPEARANCE BY POSITIONING THE GAS VALVE IN ANY OTHER POSITION OTHER THAN THE FULL "ON" POSITION.

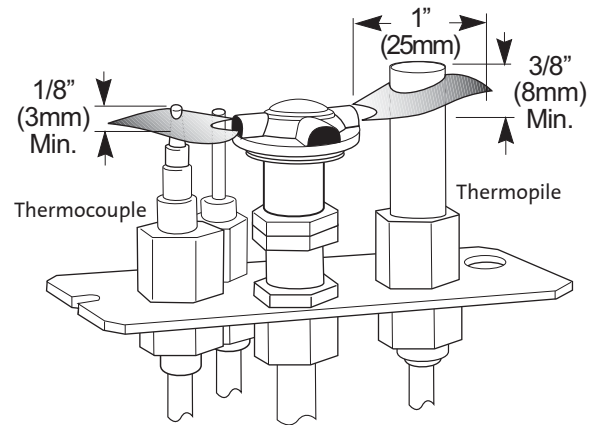


Figure 28. Correct pilot flame appearance.

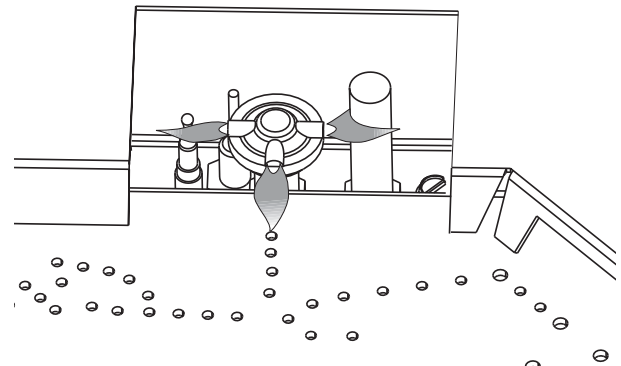


Figure 28a. Correct pilot flame, burner alignment.

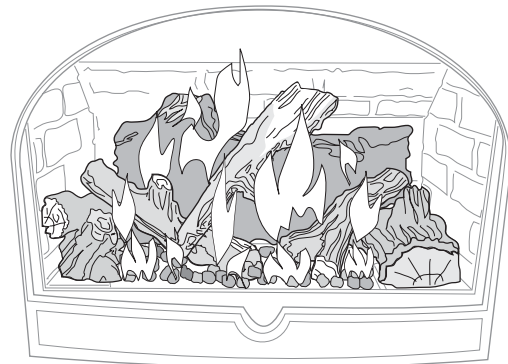


Figure 29. Flame appearance on the "high" setting after approximately 15 to 20 minutes operation.

Flame Appearance - Air Shutter Adjustment

The GF 600 DV II FIRELIGHT gas stove is shipped from the factory equipped as a NATURAL GAS STOVE. If the stove is converted for propane, it will be necessary to adjust the air shutter on the burner tube to achieve the proper gas/air mixture. The initial air shutter settings are:

1/8" open for natural

5/16" open for propane

The air shutter can also help achieve the desired flame appearance. Generally, flame appearance is a matter of preference, however most people enjoy a warm yellowish flame.

Air Shutter Too Open - the burner will generate flames that are blue and transparent, or otherwise weak looking.

Air Shutter Too Closed - the burner will generate very long, stringy yellow flames which can result in soot deposits on the logs, on the inside walls of the appliance, and potentially on the exterior termination cap.

Sooting is caused by incomplete combustion in the flames and lack of combustion air entering the air shutter opening.

Adjust the Air Shutter: The shutter is adjusted from under the stove. The adjustment stem is secured by a wingnut and is located directly behind the gas valve toward the rear of the stove. See fig. 29. Loosen the wingnut and slide the shutter stem back to open (more air) and forward to close.

Make air shutter adjustments in small increments and wait about 15 minutes to let the fire settle in before making further adjustments. When the optimal position has been found, tighten the wingnut to secure the Shutter.

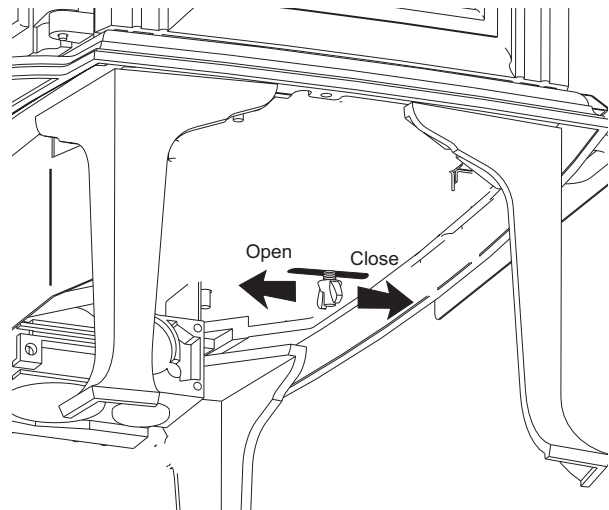


Figure 30. Air Shutter adjustment.

Optional Blower Kit 156000 Installation

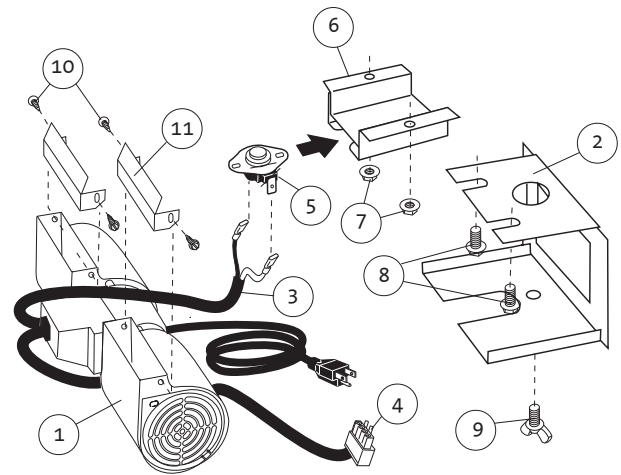
DO NOT CONNECT BLOWER TO POWER SOURCE UNTIL ALL WIRE CONNECTIONS HAVE BEEN MADE.

CONNECT THE GAS SUPPLY TO THE STOVE BEFORE INSTALLING THIS BLOWER. USE A 90° ELBOW OFF THE GAS VALVE TO CREATE ADEQUATE GAS LINE CLEARANCE.

- This blower must be electrically grounded in accordance with local codes or, in the absence of local codes, with the current ANSI/NFPA 70, National Electrical Code or CSA C22.1-Canadian Electrical Code.
- This unit is supplied with a three-prong (grounding) plug for protection against shock hazard and should be plugged directly into a properly grounded three-prong receptacle. **DO NOT CUT OR REMOVE THE GROUNDING PRONG FROM THE PLUG.**
- Always disconnect the power supply when performing any service.
- **CAUTION:** Label all wires prior to disconnection when servicing controls. Wiring errors can cause improper and dangerous operation. Verify operation after servicing.
- **ATTENTION:** Au moment de l'entretien des commandes, étiquetez tous les fils avant le débranchement. Des erreurs de câblage peuvent entraîner un fonctionnement inadéquat et dangereux.

Installation Procedure

1. **Unpack and check the contents** of the blower kit. Contact your dealer if any damage is evident or parts are missing. See fig. 1.
2. **Attach the Snapstat Bracket** to the studs located in the middle of the firebox floor using the two M6 hex nuts and a 10 mm wrench. See fig. 2.
3. **Attach the Blower Bracket** to the stove using the two M6 flange head hex bolts as shown in fig. 2. **SHORT LEG NOTE:** If using short legs, follow Step 4 to attach the blower to the bracket *BEFORE* attaching the bracket to the stove.



Contents

1. Blower
2. Mounting Bracket
3. Snapstat Wire Harness
4. Control Switch Wire Harness
5. Snapstat
6. Snapstat Bracket
7. M6 Flange Nuts (2)
8. M6 X 12 Hex Head Flange Bolts (2)
9. M6 x 12 Wingscrew (1)
10. #8 x 1/2" sheet metal screws (4)
11. Duct Deflector (2)

Tools Required

- 10 mm wrench
- short phillips screwdriver
- Safety goggles
- Work gloves

Figure 31. Kit Contents - 156000 Blower

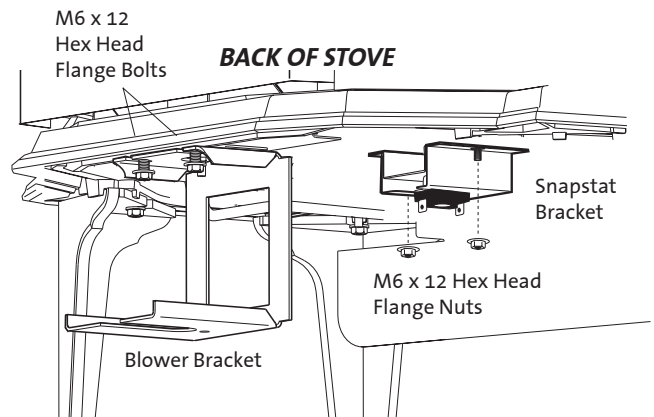


Figure 32. Attach Snapstat and Blower Brackets.

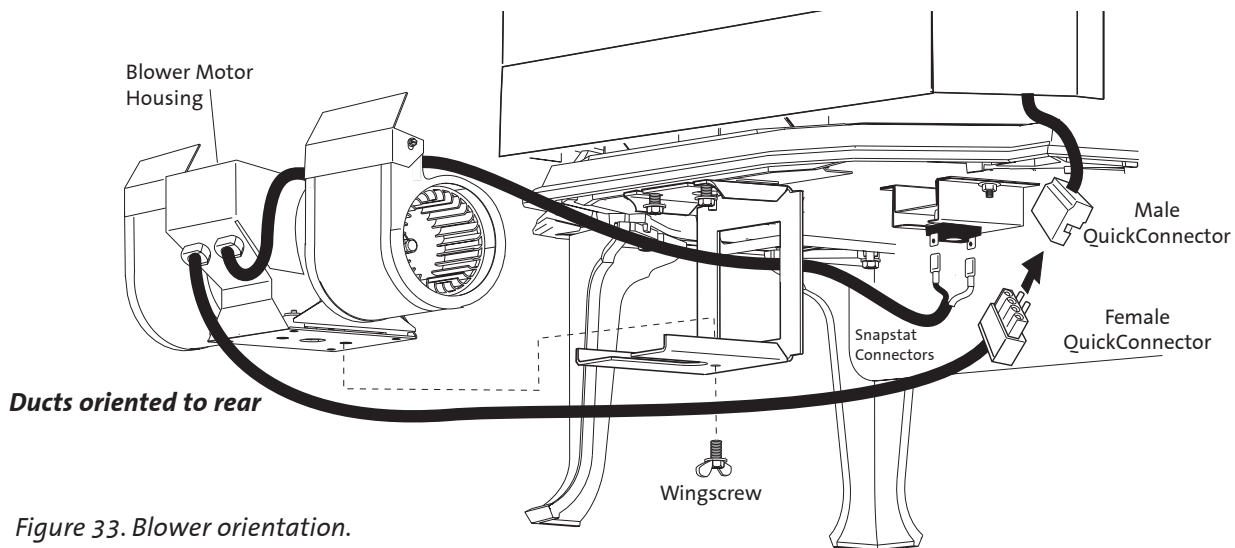


Figure 33. Blower orientation.

4. **Install the Blower:** Orient the duct openings up and to the back as in fig. 33. Route the snapstat wire harness over the blower motor housing. Remove the wire ties from the controls wire harness and route it under the blower to the side. Secure the blower to the bracket with the wingscrew.
5. **Attach either Snapstat wire connector** to either Snapstat terminal. See fig. 33
6. **Install the Snapstat** by sliding it all the way into the slot in the bottom of the Snapstat Bracket as shown in figs. 31 and 33.
7. **Connect the male wire harness connector** to the female wire harness already installed in the stove. See fig. 33.
8. Connect power cord to outlet **only after all wire connections have been made.**

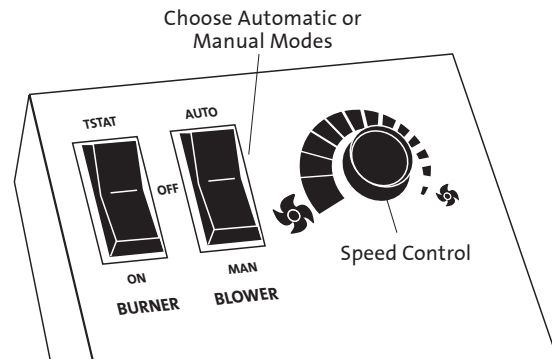


Figure 34. Blower Controls

Blower Operation

The optional variable-speed blower will enhance heat circulation around the firebox and out into the room. Controls are located at the left side of the rear shroud of the stove, fig.34. The blower is controlled by a heat activated switch (snapstat) that will **ONLY** function when the control switch is in AUTO setting. After the fire has been burning for a time, the snapstat will react to the heat and activate the blower. Fan speed may be manually adjusted with the rheostat knob. If the burner turns off, the blower will be shut off automatically when the stove cools down.

If automatic blower circulation is not desired, place the blower control switch in the **MANUAL** position.

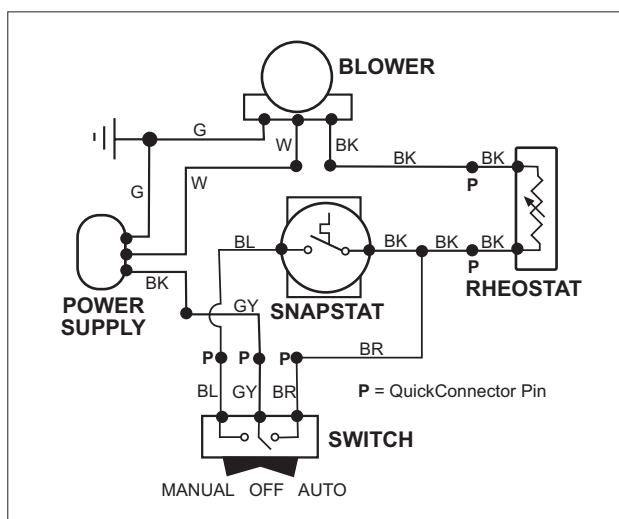


Figure 35. Blower Wiring Diagram

Operation

Familiarize yourself with the controls of the GF 600 DV II Firelight. Make sure that anyone else using the appliance is also familiar with the controls and operation procedures. Always follow the Lighting Instructions on the inside back cover of this manual and also located on the Rating Plate attached to the burner assembly.

1. Once the pilot is lit, burner operation is controlled by the rocker switch located at the left rear corner of the stove. See fig. 36. Use the T-STAT position for the optional thermostat or remote control functions.
2. During the first few fires, you may notice odor and/or smoke from the stove. This is normal and results from burn-off of manufacturing residue and curing of materials. You may find it helpful to provide additional ventilation and fresh air to alleviate this condition.
3. Condensation may develop on the glass when the burner is first lit. This “fog” will disappear as the heater warms up.
4. Keep the controls and the area under the appliance free of debris, vacuum this area frequently. Always keep the appliance area clear and free from combustible materials, gasoline and other flammable liquids. **The flow of combustion and ventilation air must not be obstructed.**

If a vacuum is used during any service on the stove, ALWAYS be sure the stove is cold.

5. This appliance has a continuous burning pilot flame. Exercise caution when using products having combustible vapors. Always shut-off gas supply while servicing the stove.
6. **CAUTION: DO NOT OPERATE THIS APPLIANCE WITH THE GLASS REMOVED CRACKED OR BROKEN.** Replacement of the glass should be done by a licensed or qualified service person. Use only replacement glass provided by your authorized Jøtul dealer. Never use any substitute materials.

WARNING: OBSERVE CAUTION WITH THE GLASS. THE GLASS PANEL MAY SHATTER UNEXPECTEDLY IF STRUCK WITH AN OBJECT. ALWAYS HANDLE THE GLASS PANEL WITH CARE. WHEN SERVICING THE STOVE ALWAYS PULL THE GLASS ASSEMBLY STRAIGHT UP FOR REMOVAL.

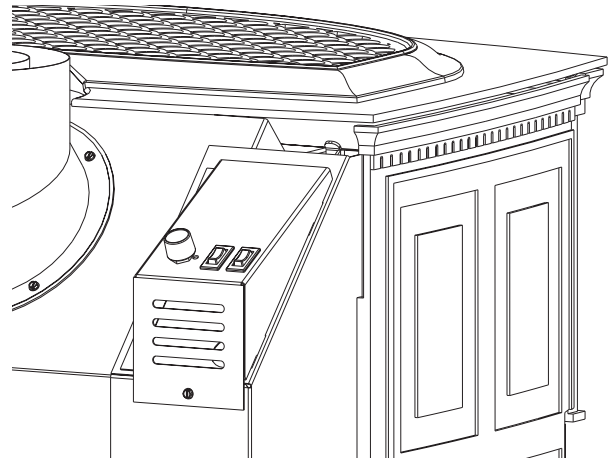


Figure 36. Burner Control Switch Location

7. Clean the glass only when necessary. Wipe surface with a clean, damp soft cloth. Follow with a dry, soft towel as desired. Take care not to scratch the glass surface.

WARNING: DO NOT USE ABRASIVE CLEANERS ON THE GLASS. NEVER CLEAN THE GLASS WHEN IT IS HOT.

Maintenance

The GF 600 DV II Firelight gas stove and its venting system should be inspected before use and at least annually by a qualified service technician.

IMPORTANT:

ALWAYS TURN OFF THE GAS SUPPLY TO THE STOVE BEFORE ANY SERVICE WORK IS PERFORMED ON THE STOVE.

General cleaning: The firebox should be vacuumed annually to remove any surface build up. Be sure to vacuum or wipe off the pilot assembly and burner orifice and burner plate. Also, when vacuuming the log set, be sure to handle each piece carefully as they are very fragile.

Gasket inspection: It is important that the glass gasket be inspected at least annually. Examine the rope gasket for signs of deterioration and make sure the gasket has a positive seal. This is important to prevent combustion gases from escaping into the room. Replace the gasket if it is frayed, stiff or brittle. Refer to the replacement parts list on page 26.

Always replace any damaged or broken parts on the GF 600 DV II Firelight with JØTUL AUTHORIZED PARTS ONLY. These are available through your Jøtul dealer. Never use any substitute parts on your GF 600 DV II Firelight gas stove.

Glass Replacement

Use only Jøtul PN 129124 Tadpole Gasket and PN 12102633 Glass Panel for this appliance.

1. Release the spring clips at the top of the firebox and slide the glass frame up and out of the firebox.
2. Use a flat blade screwdriver to bend the two side retainer tabs up to release the original glass panel and remove it from the frame.
3. Beginning at the center of one of the long sides, wrap the new tadpole gasket material around the new glass pane, pressing the adhesive firmly against the glass surface. See fig. 37.
4. Place the glass panel within the frame oriented with the gasket seam at the bottom and the thinner side of the gasket against the frame. Carefully bend the retainer tabs back only enough to secure the glass panel. See fig.37a.
5. Replace the glass frame into the firebox.

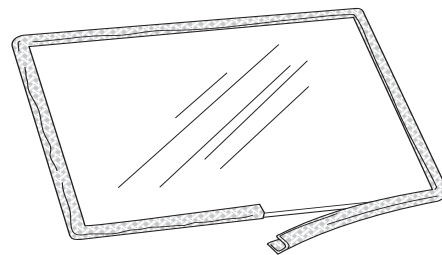


Figure 37.
Replacing the Glass Gasket.

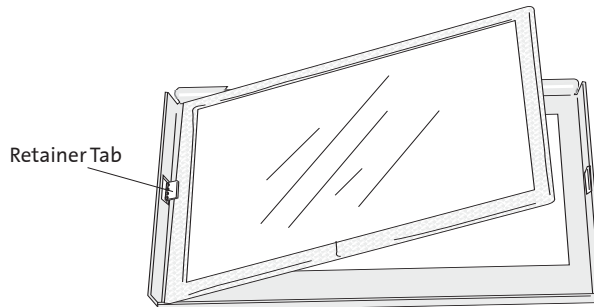


Figure 37a.
Replacing the glass panel into the frame.

FOR YOUR RECORDS

Record the following information to help your dealer determine what you will need should you ever require parts and service.

MODEL NAME: GF 600 DV II Firelight

SERIAL NUMBER: _____

DATE OF PURCHASE: _____

PURCHASED FROM: _____

NAME OF INSTALLER: _____

TYPE OF FUEL: _____

FUEL CONVERSION: _____

BY: _____

RETAIN THIS MANUAL FOR REFERENCE AND MAKE IT AVAILABLE TO ANYONE USING OR SERVICING THE STOVE.

Firelight GF 600 DV II Illustrated Parts Diagram

**ONLY USE REPLACEMENTS PARTS
PROVIDED BY AN AUTHORIZED JØTUL DEALER.**

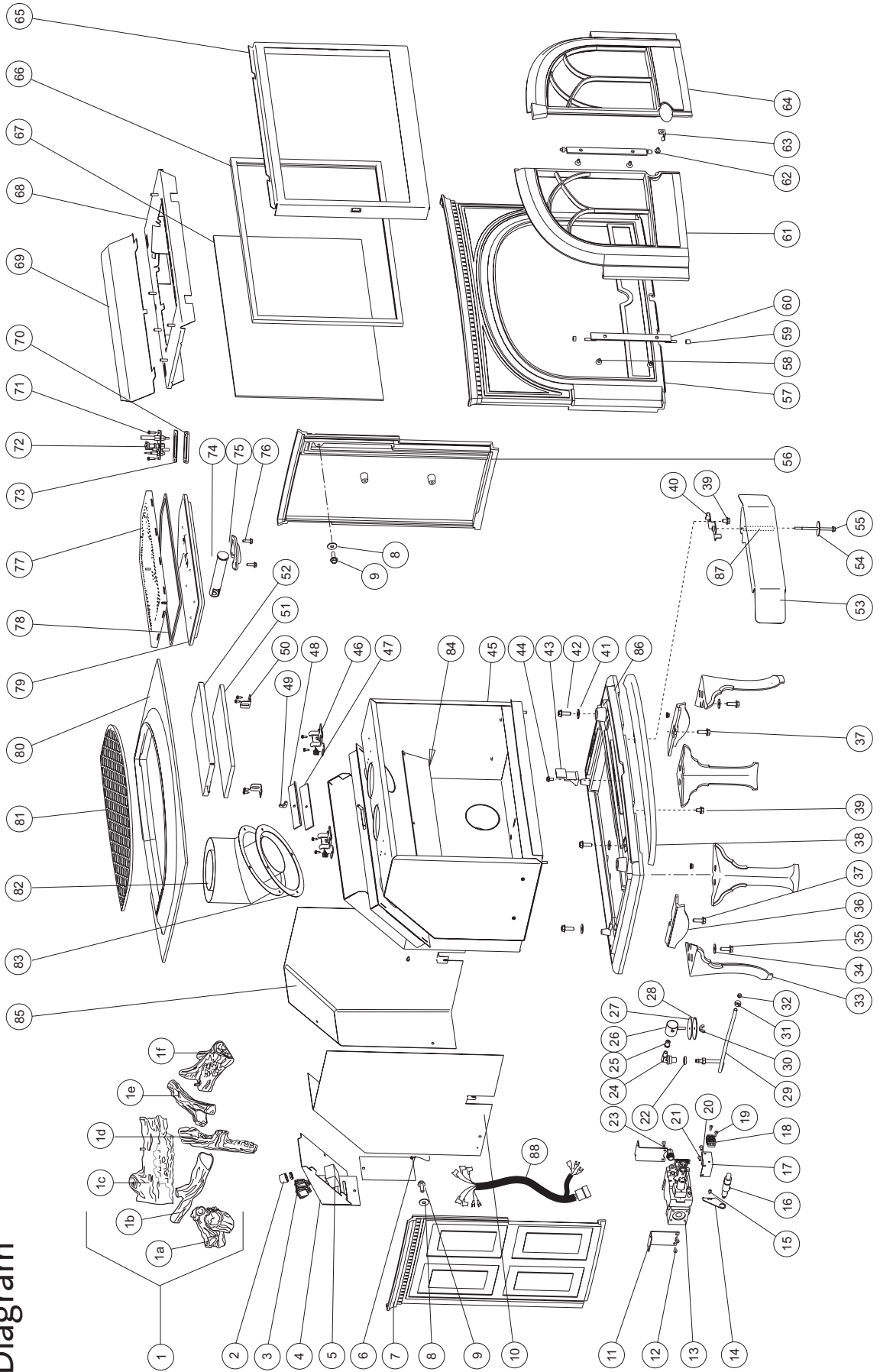


Figure 38.

Jøtul GF 600 DV II Firelight Replacement Parts

Cast Iron Part	Matte Black Paint	Jøtul Iron Paint	Blue Black Enamel	Forest Green Enamel	Ivory Enamel	Jøtul Iron Enamel	
61	Left Door	10424392	10424385	10424327	10424329	10424332	10424346
64	Right Door	10424292	10424285	10424227	10424229	10424232	10424246
56	Right Side	10331692	10331685	10331627	10331629	10331632	10331646
36	Decorative Side Skirt	10334292	10334285	103414	103442	10334232	10334246
57	Front Panel	10379992	10379985	10379927	10379929	10379932	10379946
80	Top Panel	10406792	10406785	10406727	10406729	10406732	10406746
81	Top Griddle	10406892	10406885	0406827	10406829	10406832	10406846
7	Left Side	10331592	10331585	10331527	10331529	10331532	10331546
33	Leg	10333292	10333285	103413	103441	10333232	10333246
86	Bottom Panel	10390992	10390985	10390927	10390929	10390932	10390946
38	Ashlip	10379692	10379685	10379627	10379629	10379632	10379646

No.	Description	Part Number
1	Log Set, Complete	155886
a	Left Log	220993
b	Left Middle Log	220995
c	Rear Log	220992
d	Top Log	220701
e	Right Middle Log	221105
f	Right Log	220994
g	Ember Stones (not illustrated)	220702
2	Knob, Blower	220709
3	Rocker Switch, 3-way (2)	220703
4	Switch Cover	221174
5	Rheostat, Long Leads	220970
6	Wire Harness, Switchbox	155878
8	Washer, 8 mm Fender	117949
9	Bolt, M8 x 25 mm	99131
10	Rear Shroud, Left	221173
11	Valve Bracket	221184
12	Screw, 10-32 x 3/8" Phillips	117911
13	Valve, NG 50% Turndown	220520
14	Ignitor Bracket	3902576
15	Screw, M4 x 8 Phillips	117920
16	Ignitor	3902573
17	Terminal Block Bracket	220930
18	Terminal Block	129154
19	Screw, M4 x 12 mm	117921
20	Nut, M4 Hex	117922
21	Screw, 10-32 x 3/8" Phillips	117911
22	Jam Nut	129152
23	90° Brass Elbow, 3/8"NTP-5/16" dia.	129129
24	Orifice Holder	129668
25	Orifice, 3.2 mm NG	129681
	Orifice, #49 LP	129411
26	Air Shutter	221177
27	Gasket, 2.25 O.D.	220734
28	Washer	118023
29	Main Gas Line, 5/16" x 14" Flex	129390
30	Wing Nut, M6	117975
31	Compression Nut	129464
32	Compression Sleeve	129463
34	Washer, 8 mm Zinc	117949
35	Leg Bolt, M8 x 25 mm (4)	99131
37	Skirt Bolt, M8 x 25 mm (2)	99131
39	Ashlip Bolt, M8 x 12 mm (2)	99115
40	Control Door Hinge	221176
41	Washer, 8 mm Zinc	117949
42	Bolt, M8 x 25 mm	99131
43	Latch Piece, Cast Iron	104383
44	Bolt, M6 x 12 Flange Head	117130
45	Firebox Assembly	221139
46	Latch Assembly	220091

No.	Description	Part Number
47	Gasket, Exhaust Restrictor	221182
48	Exhaust Restrictor Plate	221183
49	Wingnut, M6	117975
50	Relief Door Guide	129499
51	Relief Door Gasket	129319
52	Relief Door, Matte Black	12964092
	Relief Door, Jøtul Iron	12964085
53	Control Door, Matte Black	22117592
	Control Door, Jøtul Iron	22117585
54	Fender Washer, 1.5"	118029
55	Control Door Hinge Pin Bolt, M6 x 100 mm	117955
58	Bolt, M6 x 8 mm (4)	117505
59	Shaft Collar, (2)	128934
60	Door Hinge, (2)	220120
62	Bolt, M6 x 10 mm Hex Hd Flange	9962
63	Door Clip	220603
65	Glass Frame	221314
66	Gasket, Glass -Tadpole	129124
67	Glass, Ceramic	12102633
68	Burner Skirt	221158
69	Rear Wall Skirt	221164
70	Pilot Spacer	220546
71	Screw, #8 x 3/4" Zinc	117986
72	Pilot Assembly	129471
73	Pilot Gasket	129670
74	Venturi Tube	221178
75	Tube Holder	103992
76	Bolt, M6 x 20 Flanged Hex (2)	117117
77	Burner Top, Stainless	221180
78	Gasket, Burner	220633
79	Burner Base	103991
	Burner Assembly (includes #74-79)	155883
82	Starter Collar, Simpson DuraVent	129126
83	Gasket, Starter Collar	129118
84	Exhaust Baffle	221160
85	Rear Shroud, Right	221172
87	Control Door Spacer, .375 O.D. x 3"	118040
88	Switch Wire Harness	155878

Hardware Bag Contents

Fuel Conversion Kit - LP 155893

Accessories

Antique Brick Panel Kit 155888
 Fuel Conversion Kit - NG 155894
 High Altitude Conversion Kit 155895
 Wall Thermostat 750003
 Remote Control 750002
 Floor Bracket Kit 750304
 Blower Kit 156000
 Spark Screen 350169

LIGHTING INSTRUCTIONS

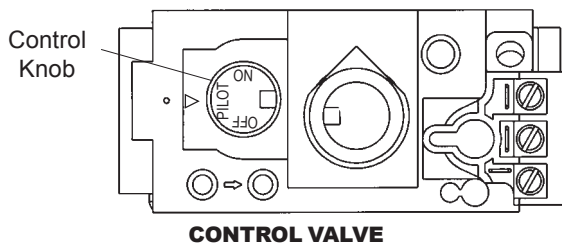
FOR YOUR SAFETY, READ BEFORE LIGHTING.

WARNING:
**IF YOU DO NOT FOLLOW THESE INSTRUCTIONS EXACTLY, A FIRE OR EXPLOSION
 MAY RESULT CAUSING PROPERTY DAMAGE, PERSONAL INJURY, OR LOSS OF LIFE.**

- A.** This appliance has a pilot which must be lit by hand. When lighting the pilot, follow these instructions exactly.
- B. BEFORE LIGHTING,** smell all around the appliance area for gas. Be sure to smell next to the floor because some gas is heavier than air and will settle to the floor.
- WHAT TO DO IF YOU SMELL GAS:**
- Extinguish any open flame.
 - Open windows.
 - Do not light any appliance.
 - Do not touch any electrical switches.
 - Do not use any phone in your building.
 - Immediately call your gas supplier from a neighbor's phone.
- If your gas supplier cannot be reached, call the fire department.
- C.** Use only your hand to push in or turn the gas control knob. Never use tools. If the knob will not push in or turn by hand, do not try to repair it. Call a qualified technician. Force or attempted repair may result in a fire or explosion.
- D.** Do not use this appliance if any part has been under water. Immediately call a qualified service technician to inspect the appliance and to replace any part of the control system and any gas control which has been under water.

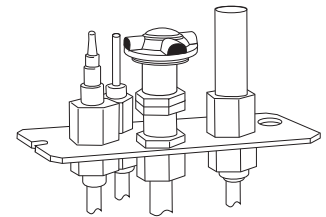
LIGHTING INSTRUCTIONS

1. STOP! Read the safety information above.
2. Access the lower controls.
3. Turn the stove ON/OFF switch to "OFF", or set the thermostat to lowest setting (if used).
4. Confirm that the gas supply line shut-off valve is open.



5. Push in gas control knob slightly and turn clockwise to "OFF".
- NOTE: Knob cannot be turned from "PILOT" to "OFF" unless the knob is pushed in slightly. Do not force.
6. Wait five (5) minutes to clear out any gas. If you then smell gas, STOP! Follow "B" in the safety information above on this page. If you do not smell gas, go to the next step.

7. Push in gas control knob slightly and turn counterclockwise to "PILOT".
8. Push in control knob all the way and hold in. Immediately light the pilot by triggering the spark ignitor (push the red button repeatedly) until pilot lights. Continue to hold the control knob in for about one minute after the pilot lights. Release knob and it should spring back. The pilot should remain lit. If it goes out, repeat Steps 5 through 8.



- If knob does not return when released, stop and immediately call your service technician or gas supplier.
 - If pilot will not stay lit after several tries, turn the control knob to OFF and call your service technician or gas supplier.
9. Turn gas control knob counterclockwise to "ON".
 10. Turn the stove ON/OFF switch to "ON", or set thermostat (if used) to desired temperature.

TO TURN OFF GAS TO THE APPLIANCE:

1. Turn ON/OFF switch to "OFF". The pilot will remain lit for normal service.
2. For complete shutdown, turn ON/OFF switch to "OFF".
3. Access the lower controls.
4. Depress gas control knob slightly and turn clockwise to "OFF". Do not force.

July 2005
138090-A

This appliance must be installed in conformance with local and national building regulations. It is important that these instructions be carefully read and understood before beginning the installation. Jøtul pursues a policy of continual product development. Consequently, products may differ in specification, color or type of accessories from those illustrated or described in various publications.

Jøtul vise sans cesse a ameliorer ses produits. C'est pourquoi, il se reserve le droit de modifier les specifications, couleurs etequipement sans avis prelable.

Jøtul AS

P.O. Box 1411

N-1602 Fredrikstad, Norway

Jøtul North America

55 Hutcherson Dr.

Gorham, Maine 04038-2634

