



HEAT & GLO
Where everything comes together



Escape Series
Gas Fireplaces



First class
& second
to none



- A.** Patented accent lighting system illuminates the unique cantilevered brick design and the rich tones of the handpainted Stratford FireBrick®.
- B.** Mystifire® burner intensifies the flame and conceals unsightly tubes and lines.

Cover and top photo: Escape-42 shown with bronze Firescreen front and Prairie Ridge Firescreen companions. Cultured Stone's Blended Textures: 80% Bucks County Southern LedgeStone mixed with 20% Bucks County Dressed Fieldstone, and Fireside Furnishings™ Sierra Log Shelf.

Although Escape is the first gas fireplace in the world to remove all visible firebox sheet metal, what makes it even more exceptional is what we've added: innovation after innovation after innovation. Inspired by the fine craftsmanship of a masonry fireplace, only better. Quite simply, it's the best of the best.

- Our unique, patented accent lighting system illuminates the interior of the firebox year round, with or without flame.
- The one-piece molded firebox is constructed using our patented FireBrick® technology which radiates more heat and has an authentic cantilevered brick design.
- Clean face design lets surround materials like brick, stone and tile to come flush to the firebox edge for a seamless finish and maximum view of the fire.
- A flush hearth system removes bottom louvers and repositions gas controls, putting the base of the fire at floor level, just like a traditional woodburning fireplace.
- Today's most advanced flame technology creates a beautiful, robust and realistic fire.
- Available in two sizes: 36", perfect for most homes; or 42", great for larger rooms.



Escape-36 shown with bronze Firescreen front and Prairie Ridge Firescreen Companions.

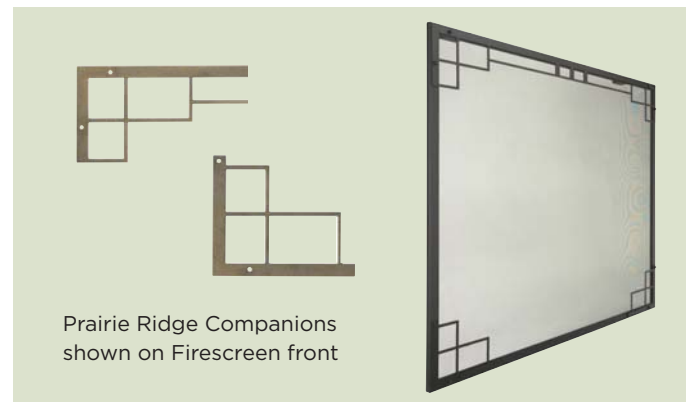
Escape

We started with the best in mind, then made it even better.

Firescreen Front and Companions The Firescreen front can be enjoyed unadorned; or you can purchase one of these two Firescreen companions to attach to the front's exterior, adding a distinctive touch of corner detail. Available in black, bronze or pewter to match or contrast with the front.



Carriage Hill Companions shown on Firescreen front



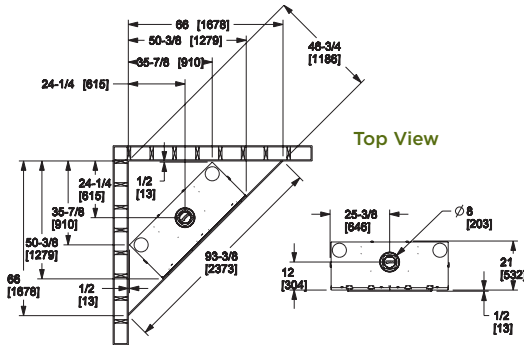
Prairie Ridge Companions shown on Firescreen front

Escape Specifications

MODEL	HEIGHT		FRONT WIDTH		BACK WIDTH		DEPTH		GLASS SIZE	Btu/Hour Input
	Actual	Framing	Actual	Framing	Actual	Framing	Actual	Framing		
Escape-36DV	Actual	Framing	Actual	Framing	Actual	Framing	Actual	Framing	36 x 30	31,000-40,000 (NG) Btu/Hour Input
	35-1/2	46	50-7/8	51-1/2	50-7/8	51-1/2	21	22		
Escape-42DV	41-3/8	52-1/2	56-7/8	57-1/2	48	57-1/2	21	22	42 x 36	35,000-52,000 (NG) Btu/Hour Input

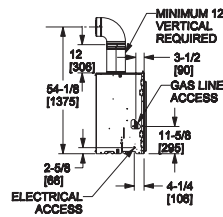
Escape 36

Top View Corner Installation

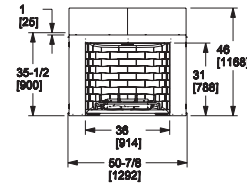


Top View

Side View

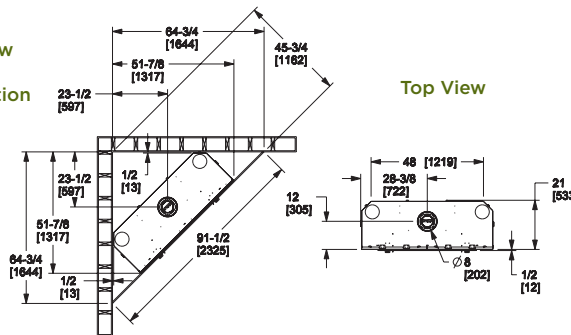


Front View



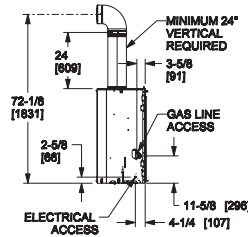
Escape 42

Top View Corner Installation

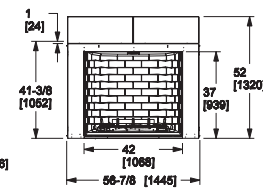


Top View

Side View



Front View



Dimensions above are in inches. Reference dimensions only. We recommend measuring individual units at installation. Assumes the use of 1/2" Sheetrock. NOTE: Non-combustible material is allowed over this dimension. Make sure you do NOT cover the decorative door opening.

Refer to installation manual for detailed specifications on installing this product. Heat & Glo reserves the right to update units periodically. The flame and ember appearance may vary based on the type of fuel burned and the venting configuration used. Pictures in this brochure are not true representation of the fireplace, flames and/or finishes.

Escape Features

- Clean face design and flush hearth system
- Patented accent lighting system
- Multi-function wall switch (WSK-MLT)
- Cantilevered firebox design featuring handpainted Stratford FireBrick®
- IPI ignition system
- Nine ceramic logs (36DV) or ten ceramic logs (42DV)
- High thermal efficiency
- Variable valve
- Ceramic glass and masonry mesh screen
- Sealed combustion chamber, top vent
- 27,000-41,000 Btu/Hour Input (36DV-NG)
- 31,000-40,000 Btu/Hour Input (36DV-LP)
- 35,000-52,000 Btu/Hour Input (42DV-NG)
- 33,000-50,000 Btu/Hour Input (42DV-LP)
- Optional Firescreen front and companions in black, pewter or bronze
- Optional Heat Zone® kit

Heat Zone®

Heat Zone climate control system turns your fireplace into a flexible, energy-saving heat source by transferring excess heat from your fireplace to other locations in your home.

Healthy Hearth

Our direct vent fireplaces will not alter the quality of indoor room air in any way. The sealed combustion chamber draws in fresh air from outdoors and discards all combustion by-products back outside.

Limited Lifetime Warranty*

The strongest in the industry, Heat & Glo guarantees protection for all gas units, including a lifetime warranty of the most important aspects: fiber logs, stainless steel burner, firebox and heat exchanger.

*For full warranty details, go to www.heatnglo.com

For complete information and valuable assistance on this model, please contact us at:

HEAT & GLO

20802 Kensington Boulevard, Lakeville, MN 55044
(888) 427-3973 (952) 985-6000

Email: info@heatnglo.com
Web: heatnglo.com

A brand of Hearth & Home Technologies, Inc.



HNG-1019U-1206